

Four-channel Mobile HDCVI DVR

1080p H.265 Mobile Digital Video Recorder



- Four-channel 1080p Real-time Recording
- Multi-format Video Input: HDCVI, AHD, TVI, CVBS
- H.265 and H.264 Dual Codec Video Compression
- Simultaneous VGA and TV Video Output Channels
- Embedded 3G/4G/LTE-FDD/Wi-Fi a GPS Module
- One (1) Hard Disk Drive Port and one (1) SD Card Slot
- Aviation Connectors for Increased Signal Stability
- Five-year Warranty*



System Overview

Dahua Mobile Solutions offers a durable mobile video surveillance solution that provides reliable security for transit agencies. The Mobile Solution HDCVI DVR (or MXVR) operates across different transportation networks. The MXVR simultaneously records 1080p Full HD real-time video from four (4) analog/HDCVI cameras and provides two (2) simultaneous video output channels.

The MXVR supports real-time vehicle location tracking and monitoring, and can upload the GPS information along with recorded video to a 3G/4G/LTE-FDD/Wi-Fi wireless network. The MXVR is also adaptable, allowing connections to various accessories, including card readers and emergency buttons.

Functions

Anti-vibration

Using a shock-absorbing material and a newly-designed structure, the hard disk enclosure can withstand varying degrees of vibration, allowing normal operation in the most extreme mobile applications.

Wide-range Power Supply

The MXVR accepts a wide voltage range (6 VDC to 36 VDC) to accommodate the voltage output from a vehicle battery. The voltage range protects the recorder from fluctuating power output from the vehicle battery during operation.

3G/4G/LTE-FDD/Wi-Fi

Embedded with a 3G/4G/LTE-FDD/Wi-Fi module (supports Verizon, AT&T, and T-Mobile services), the MXVR can register into a public network, connect with a VMS, and transmit video, audio, alarm, and GPS information through a wireless network.

GPS

The MXVR offers an embedded GPS module that receives location information and uploads the vehicle's position to a VMS. The VMS can plot the position on a map so the position and the path of vehicle can be monitored.

Multi-format Support

The HDCVI DVR supports multiple video formats including, HDCVI, CVBS, AHD, and TVI. The recorder automatically recognizes the incoming signals of each attached camera without any setup, making installation easy and operation convenient.

Technical Specification

System

Main Processor	Embedded Microprocessor
Operating System	Embedded LINUX

Video and Audio

Video	Input	Four (4) Channels, HDCVI, AHD ¹ , TVI ¹ , CVBS
	Supported Resolution	HDCVI, AHD, TVI, CVBS Cameras: up to 1080p
	Connections	Four (4) Channels, M12 A-coded 4-pin Connectors
Audio, Two-way Talk		Input: One (1) Channel Output: One (1) Channel

Display

Interface	One (1) VGA Output Port One (1) TV Output Port
Resolution	800 x 600
Display Split	1/4/8/9
Privacy Masking	Four (4) Rectangular Zones (each camera)
On-screen Display	Camera Title, Time, GPS

Recording

Video Compression	H.265, H.264
Audio Compression	G.711A, G.711U, PCM
Record Rate	Four (4) Channels at 1080p Real-time Recording
Bit Rate	48 Kbps to 8192 Kbps
Record Mode	Manual, Schedule (Regular - Continuous, MD, Alarm), Stop
Record Interval	1 minute to 120 minutes (default: 60 minutes) Pre-record: 1 s to 30 s Post-record: 10 s to 300 s

Video Detection and Alarm

Trigger Events	Recording, PTZ, Tour, Alarm, Email, FTP, Buzzer, and Screen Tips
Video Detection	Motion Detection, MD Zones: 330 (22 x 15), Video Loss, and, Tampering
Alarm Input	Nine (9) Channels: Channels 1 to 8: Local Alarm Channel 9: Pulse Input
Relay Output	Two (2) Total Channels, One (1) Relay Output, One (1) Control 12V Output

Playback and Backup

Playback	One (1) Channel
Search Mode	Time/Date, Alarm, Motion Detection, and Exact Search (accurate to one second)
Playback Function	Play, Pause, Stop, Rewind, Fast Play, Slow Play, Next File, Previous File, Next Camera, Previous Camera, Full Screen, Repeat, Shuffle, Backup Selection, Digital Zoom
Backup Mode	USB Device/Network

Storage

Internal HDD	One (1) SATA 2.5-in. HDD Port, up to 2 TB per HDD
SD Card	One (1) SD Card Slot, up to 256 GB

Network

Ethernet	One (1) Ethernet Interface (10/100 Mbps), 6-pin Aviation Connector
Wireless Network	3G/4G/LTE-FDD/Wi-Fi Module (Verizon, AT&T, T-Mobile supported)
GPS	High-accuracy GPS Module
Network Function	TCP/IP, UDP, DHCP, DDNS, FTP, Email, Alarm Server
Maximum User Access	128 Users
Mobile Operating System	iOS, Android

Auxiliary Interface

USB	Front Panel: Two (2) USB 3.0 Ports
RS232	Two (2) Ports, for PC Communication and Keyboard
RS485	One (1) Ports, for PTZ Control

Electrical

Power Supply	6 VDC to 36 VDC
Power Consumption	< 8.4 W, without HDD

Environmental

Operating Temperature	-30° C to +70° C (-22° F to +158° F)
Operating Humidity	10% to 90% RH
Storage Conditions	-30° C to +70° C (-22° F to +158° F), 0 to 90% RH

Construction

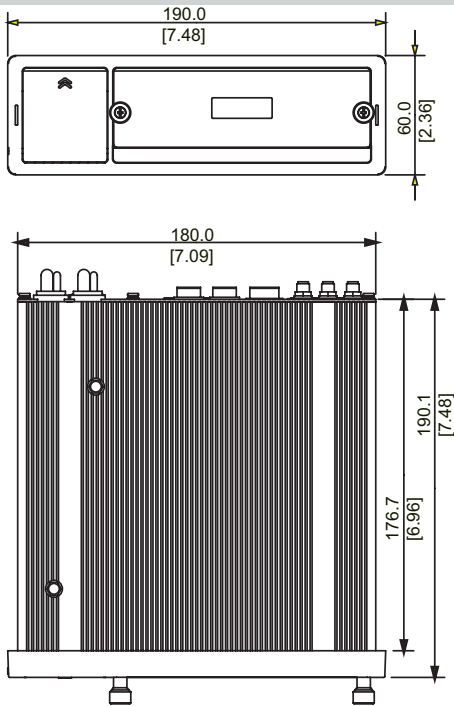
Dimensions	180.0 mm x 190.0 mm x 50.0 mm (7.08 in. x 7.48 in. x 1.96 in.)
Net Weight	1.92 kg (4.23 lb), without HDD
Package Weight	2.83 kg (6.24 lb)

1. The recorder does not support audio input from connected AHD and TVI cameras.

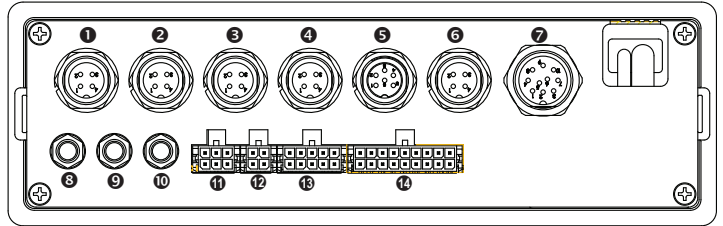
Ordering Information

Type	Part Number	Description
Mobile HDCVI DVR	MX4104-VM	Four (4) HDCVI, AHD, TVI, CVBS Channels, 1080p, GPS, Digital Video Recorder
Accessory, optional	MA-PB01	Mobile Recorder Protective Enclosure
	MA-DPBB6401	Emergency Backup Recording Device
	MP06	Full-Duplex Talkback Terminal
	MLED-BOX	Mobile Recorder Status Indicator with Panic Button
	DH-LM10-V100	10.1-in. WXGA LCD Monitor

Dimensions (mm/in.)



Rear Panel



1	Video Input 1, M12 A-coded	8	GPS Antenna, BNC
2	Video Input 2, M12 A-coded	9	Wi-Fi Antenna, BNC
3	Video Input 3, M12 A-coded	10	Cellular Antenna, BNC
4	Video Input 4, M12 A-coded	11	Audio Input/Output
5	ETH2	12	External Pickup Input
6	A/V Output	13	External USB
7	VGA Output	14	Alarm Input/Output RS485 Input