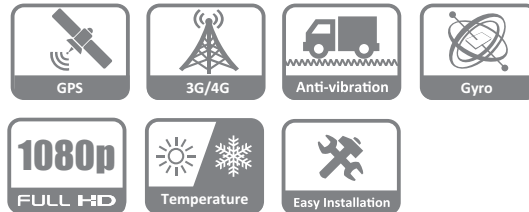


Eight-channel Mobile HDCVI DVR

1080p H.264 Mobile Digital Video Recorder



- Eight-channel 1080p Real-time Recording
- 8 + 4 IP Camera Channels, each channel up to 2 MP
- Dual-stream Recording
- Penta-brid Video Input: HDCVI, AHD, TVI, CVBS, IP
- H.264 Video Compression
- Simultaneous VGA and TV Video Output Channels
- Embedded 3G/4G/LTE-FDD/Wi-Fi and a GPS Module
- Two (2) Hard Disk Drive Ports and One (1) SD Card Slot
- Aviation Connectors for Increased Signal Stability
- Five-year Warranty*



System Overview

Dahua Mobile Solutions offers a durable mobile video surveillance solution that provides reliable security for transit agencies. The Mobile Solution HDCVI DVR (or MXVR) operates across different transportation networks. The MXVR simultaneously records 1080p Full HD real-time video from eight (8) analog/HDCVI cameras and provides two (2) simultaneous video output channels.

The MXVR supports real-time vehicle location tracking and monitoring, and can upload the GPS information along with recorded video to a 3G/4G/LTE-FDD/Wi-Fi wireless network. The MXVR is also adaptable, allowing connections to various accessories, including card readers and emergency buttons.

Functions

Anti-vibration

Using a shock-absorbing material and a newly-designed structure, the hard disk enclosure can withstand varying degrees of vibration, allowing normal operation in the most extreme mobile applications.

Wide-range Power Supply

The MXVR accepts a wide voltage range (6 VDC to 36 VDC) to accommodate the voltage output from a vehicle battery. The voltage range protects the recorder from fluctuating power output from the vehicle battery during operation.

3G/4G/LTE-FDD/Wi-Fi

Embedded with a 3G/4G/LTE-FDD/Wi-Fi module (supports Verizon, AT&T, and T-Mobile services), the MXVR can register into a public network, connect with a VMS, and transmit video, audio, alarm, and GPS information through a wireless network.

GPS

The MXVR offers an embedded GPS module that receives location information and uploads the vehicle's position to a VMS. The VMS can plot the position on a map so the position and the path of vehicle can be monitored.

Multi-format Support

The HDCVI DVR supports multiple video formats including, HDCVI, CVBS, AHD, TVI, and IP. The recorder automatically recognizes the incoming signals of each attached camera without any setup, making installation easy and operation convenient.

Technical Specification

System

Main Processor	Embedded Microprocessor
Operating System	Embedded LINUX

Video and Audio

Video	Input	Eight (8) Channels, HDCVI, AHD, TVI, CVBS; plus Four (4) IP Channels, up to 2 MP per input
	Supported Resolution	Analog Cameras: 525 Lines HDCVI Cameras: 1080p IP Cameras: 1080p
	Connections	Eight (8) Channels, M12 A-coded 4-pin Connectors, Four (4) M12 D-coded Connectors (for IP cameras)
Audio, Two-way Talk		One (1) Channel Input One (1) Channel Output

Display

Interface	One (1) VGA Output Port One (1) TV Output Port
Resolution	1920 x 1080, 1280 x 1024, 1280 x 720, 1024 x 768, 800 x 600
Display Split	1/4/8/9/12
Privacy Masking	Four (4) Rectangular Zones (each camera)
On-screen Display	Camera Title, Time, Video Loss, Camera Lock, Motion Detection, Recording

Recording

Video Compression	H.264	
Audio Compression	G.711	
Record Rate	Main Stream	12 Channels of 1080p at 30 fps
	Sub Stream	D1 and CIF at 30 fps
Bit Rate	48 Kbps to 8192 Kbps	
Record Mode	Manual, Schedule (Regular - Continuous, MD, Alarm), Stop	
Record Interval	1 minute to 120 minutes (default: 60 minutes) Pre-record: 1 s to 30 s Post-record: 10 s to 300 s	

Video Detection and Alarm

Trigger Events	Recording, PTZ, Tour, Alarm, Email, FTP, Buzzer, and Screen Tips
Video Detection	Motion Detection, MD Zones: 330 (22 x 15), Video Loss, and, Tampering
Alarm Input	Nine (9) Channels: Channels 1 to 7: Local Alarm Channels 8 to 9: Pulse Input
Relay Output	Two (2) Total Channels, One (1) Relay Output, One (1) Control 12V Output

Playback and Backup

Playback	Four (4) Channels
Search Mode	Time/Date, Alarm, Motion Detection, and Exact Search (accurate to one second)
Playback Function	Play, Pause, Stop, Rewind, Fast Play, Slow Play, Next File, Previous File, Next Camera, Previous Camera, Full Screen, Repeat, Shuffle, Backup Selection, Digital Zoom
Backup Mode	USB Device/Network

Storage

Internal HDD	Two (2) SATA 2.5-in. HDD Ports, up to 2 TB per HDD
SD Card	One (1) SD Card Slot, up to 256 GB

Network

Ethernet	One (1) Ethernet Interface (10/100 Mbps)
Wireless Network	3G/4G/LTE-FDD Wi-Fi Module (Verizon, AT&T, T-Mobile supported)
GPS	High-accuracy GPS Module
Network Function	TCP/IP, UDP, DHCP, DDNS, FTP, Email, Alarm Server
Maximum User Access	128 Users
Mobile Operating System	IOS, Android

Auxiliary Interface

USB	Front Panel: Two (2) USB 3.0 Ports
RS232	Two (2) Ports, for PC Communication and Keyboard
RS485	One (1) Ports, for PTZ Control

Electrical

Power Supply	6 VDC to 36 VDC
Power Consumption	< 12 W, without HDD

Environmental

Operating Temperature	-30° C to +60° C (-22° F to +131° F)
Operating Humidity	10% to 90% RH
Storage Conditions	-30° C to +70° C (-22° F to +158° F), 0% to 90% RH

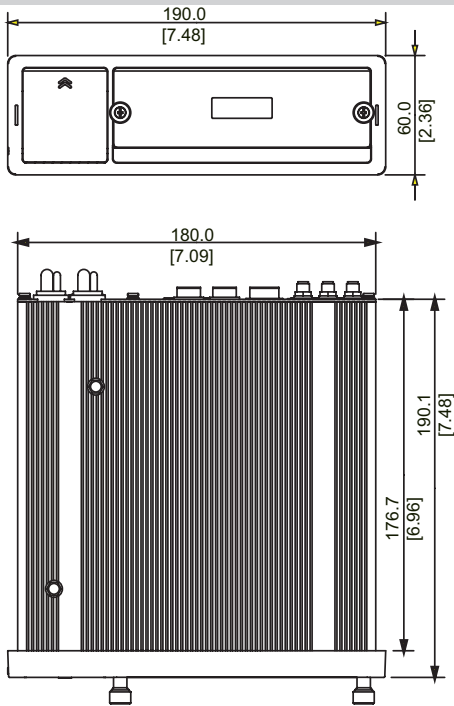
Construction

Dimensions	180.0 mm x 190.0 mm x 50.0 mm (7.08 in. x 7.48 in. x 1.96 in.)
Net Weight	1.92 kg (4.23 lb), without HDD
Package Weight	3.40 kg (7.50 lb)

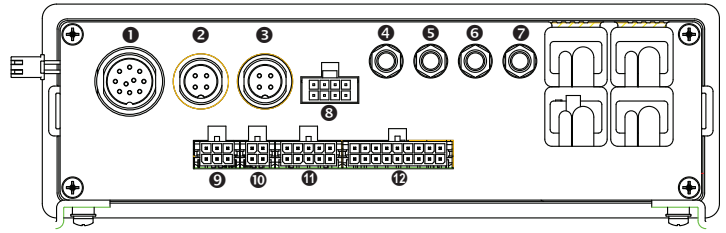
Ordering Information

Type	Part Number	Description
Mobile HDCVI DVR	MX6212-VM	Eight (8) HDCVI, AHD, TVI, CVBS Channels, 1080p, GPS, Digital Video Recorder
Accessory, optional	MA-PB01	Mobile Recorder Protective Enclosure
	MA-DPBB6401	Emergency Backup Recording Device
	MP06	Full-Duplex Talkback Terminal
	MLED-BOX	Mobile Recorder Status Indicator with Panic Button
	DH-LM10-V100	10.1-in. WXGA LCD Monitor

Dimensions (mm/in.)



Rear Panel



1	VGA Output	7	Cellular Antenna, BNC
2	A/V Output	8	Reserved
3	RS485 Input	9	Audio Input/Output
4	GPS Antenna, BNC	10	RS485 Input
5	Wi-Fi Antenna, BNC	11	External USB
6	Reserved Port	12	Alarm Input/Output