

Hybrid Thermal Network Bullet Camera

256 x 192 Thermal Sensor and a 4 MP CMOS Sensor



Wiz Sense

WizSense Series devices combine Dahua's powerful Analytics+ with an intuitive and easy to use interface. WizSense devices offer and Perimeter Protection functions that focus on human and vehicular images and ignore irrelevant images to capture important video while reducing false alarms. WizSense Series devices provide powerful general surveillance for small to medium size businesses at a sensible price.

System Overview

The Hybrid Thermal Network camera combines an uncooled VOx 256 x 192 thermal imager with a 4 MP visible-light sensor for cost-effective, long-range surveillance in a rugged all-in-one package. The thermal imager coupled with an athermalized, focus-free lens produces crisp images in total darkness and sees through rain, fog, and snow. The visible imager with an IR illuminator delivers superior video in any lighting condition. The built-in Fire Detection and Smoking Detection features identifies a potential issue and issues an audible and visual alert. Hybrid thermal cameras let you see the visible and the invisible.

Functions

Uncooled Vanadium Oxide (VOx) Technology

Dahua thermal cameras use an uncooled Vanadium Oxide (VOx) sensor that delivers higher thermal sensitivity in a more compact and cost-effective package. Vanadium Oxide cameras are also more reliable, as compared to other thermal imaging technologies, due to less moving parts.

Athermalized Lens

The athermalized lens used in Dahua thermal cameras maintains the focus position passively and without power over a wide temperature range.

High Thermal Sensitivity

The VOx detector offers high thermal sensitivity (≤ 50 mK) that allows Dahua thermal cameras to distinguish objects in a scene with minimal temperature differences. The camera captures detailed images where thermal contrast between object and background is minimal.

Thermal Camera

- 256 x 192 VOx Uncooled Thermal Sensor Technology
- Athermalized Lens, Focus-free
- 3.5 mm or 7 mm Fixed Thermal Lens Options
- ≤ 50 mK Thermal Sensitivity

Visible-light Camera

- 1/2.7-in. 4 MP Progressive-scan CMOS Sensor
- 4 mm or 8 mm Fixed Lens
- Maximum IR Distance 30 m (98.43 ft)

System Features

- Intelligent Video System with Fire Detection and Alarm Functionality
- Smart Alarm with Voice Prompt and White Light for Active Alarm
- IP67 Ingress Protection
- Five-year Warranty*



Fire Detection and Alarm

With built-in fire detection functionality, the camera can detect a rapid rise in temperature over a short time and issue an alarm for a potential fire event even at long distances. Because thermal cameras are sensitive to temperature, they provide higher fire detection accuracy than standard cameras, making them particularly fit for applications such as forest fire prevention.

Intelligent Video System (IVS)

IVS is a built-in video analytic algorithm that delivers intelligent functions to monitor a scene for Tripwire violations, intrusion detection, and abandoned or missing objects. A camera with IVS quickly and accurately responds to monitoring events in a specific area.

Smart Alarm

The camera is equipped with a white-light illuminator and an external speaker that can be triggered when the camera detects an abnormal event either via the thermal or the visible-light sensor. The camera also takes a snapshot of the scene and can record the snapshot.

Environmental

With a temperature range of -30 °C to $+60$ °C (-22 °F to $+140$ °F), the camera is designed for extreme temperature environments. The camera complies with the IP67 rating makes it suitable for demanding outdoor applications.

Protection

The camera allows for $\pm 20\%$ input voltage tolerance, suitable for the most unstable conditions for outdoor applications. Its 6 KV lightning rating provides effective protection for both the camera and its structure against lightning.

Technical Specification

Thermal Camera

Image Sensor	Uncooled VOx Focal Plane Detector
Effective Pixels	256 (H) x 192 (V)
Pixel Size	12 μm
Thermal Sensitivity (NETD)	< 50 mK (f/1.0, 25 Hz, 300 K)
Spectral Range	8 μm to 14 μm
Image Setting	Brightness, Sharpness, ROI, AGC, FFC, 3D DNR
Color Palettes	18, including: Whitehot, Blackhot, Icefire, Fusion, Rainbow, Globow, Ironbow1, and Sepia

Thermal Lens

Lens Type	Fixed, DDE	
Aperture	F1.0	
Focus Control	Athermalized, Focus-free	
Focal Length	3.5 mm	7 mm
Angle of View	H: 50.6° V: 37.8°	H: 24.0° V: 18.0°
Close Focus Distance	0.50 m (1.64 ft)	1.0 m (3.28 ft)
Effective Distance, human (1.80 m x 0.50 m) ¹	Detection	146 m (479 ft)
	Recognition	38 m (125 ft)
	Identification	19 m (62 ft)
Effective Distance, vehicle (4.0 m x 1.40 m) ¹	Detection	389 m (1276 ft)
	Recognition	97 m (318 ft)
	Identification	49 m (161 ft)

Rapid Temperature Rise Detection Distance

	4 mm	8 mm
Target Size: 0.2 m x 0.2 m, Recommended Distance	13.20 m (43.31 ft)	30.70 m (100.72 ft)
Target Size: 0.2 m x 0.2 m, Maximum Distance	26.30 m (86.29 ft)	61.40 m (201.44 ft)

Visible-light Camera

Image Sensor	1/2.7-in. CMOS
Effective Pixels	2336 (H) x 1752 (V), 4 MP
Electronic Shutter Speed	1/1 s to 1/30,000 s
Minimum Illumination	Color: 0.05 lux at F2.0 B/W: 0.005 lux at F2.0 0 lux with IR On
S/N Ratio	> 55 dB
IR Distance	30.0 m (98.43 ft)
IR On/Off Control	Auto, Manual
IR LEDs	One (1)

Visible-light Lens

Focal Length	4 mm	8 mm
Maximum Aperture	F1.6	F2.0
Angle of View	Horizontal: 71.2° Vertical: 52.0° Diagonal: 92.6°	Horizontal: 33.4° Vertical: 25.0° Diagonal: 41.9°
Close Focus Distance	1.0 m (3.28 ft)	2.50 m (8.20 ft)
Focus Control	Fixed	

Video

Compression	H.265, H.264, H.264H, H.264B, MJPEG	
Frame Rate	Main Stream	
	Thermal	1280 x 960, 1024 x 768, 640 x 480, or 256 x 192 at 30 fps
	Visible	2336 x 1752, 1080p, 720p, or D1 at 30 fps
	Sub Stream	
Frame Rate	Thermal	640 x 480, 256 x 192 at 30 fps
	Visible	720p, D1, or CIF at 30 fps
Bit Rate Control	CBR/VBR	
Bit Rate	H.265	Thermal: 14 Kbps to 3840 Kbps Visible: 14 Kbps to 8192 Kbps
	H.264	Thermal: 24 Kbps to 6144 Kbps Visible: 24 Kbps to 8192 Kbps
Day/Night	Auto (ICR), Color, B/W	
BLC Mode	BLC, HLC, Digital WDR	
White Balance	Auto, Indoor, Outdoor, Manual, Tracking, Natural, Street Lamp	
Gain Control	Auto, Gain Priority, Shutter Priority, Manual	
Noise Reduction	2D, 3D	
Motion Detection	Off, On (4 Zones, rectangular)	
Region of Interest	Off, On (4 zones)	
Flip	90°, 180°, 270°	
Digital Zoom	16x	
Privacy Masking	Off, On (4 Areas, rectangular)	

Network

Ethernet	RJ-45 (10/100 Base-T)
Protocol	IPv4/IPv6, HTTP, HTTPS, 802.1x, Qos, FTP, SMTP, UPnP, SNMP, DNS, DDNS, NTP, RTSP, RTP, TCP, UDP, IGMP, ICMP, DHCP, PPPoE, ONVIF
Interoperability	ONVIF, CGI
Streaming Method	Unicast, Multicast
Maximum User Access	10 Users
Edge Storage	Micro SD Card Slot, maximum 128 GB
Web Viewer	IE 8 and later
Management Software	DSS Pro, DSS Express
Mobile Operating System	IOS, Android

Audio

Compression	G.711a, G.711Mu, AAC, PCM
-------------	---------------------------

1. The Detection, Recognition, and Identification values shown are nominal values and should be used as estimates only. Exact value calculations depend on a wide variety of conditions.

Certifications

Safety	UL 62368-1 CAN/CSA C22.2 No. 62368-1-14
Electromagnetic Compatibility (EMC)	CFR 47 FCC Part 15 Subpart B ANSI C63.4-2014 EN 55032:2015, EN 61000-3-2:2014

Interface

Audio	Input: One (1) Channel, RCA Jack Output: One (1) Channel, RCA Jack
RS485	One (1) Port
Alarm	Input: One (1) Channel Output: One (1) Channel

Electrical

Power Supply	12 VDC ± 20% or PoE
Power Consumption	Basic: < 8W (IR off) Maximum: < 14 W (IR on)

Environmental

Operating Condition	-30° C to +60° C (-22° F to +140° F) Less than 95% RH
Storage Conditions	-30° C to +70° C (-22° F to +158° F)
Ingress Protection	IP67

Construction

Casing	Metal
Dimensions	205.50 mm x 90.40 mm x 90.10 mm (8.09 in. x 3.56 in. x 3.55 in.)
Net Weight	0.90 kg (1.98 lb)

Intelligence

IVS triggers an alarm and takes a defined action for the following events:

Standard Features	<ul style="list-style-type: none"> • Tampering with the camera. • Camera loses or changes focus drastically. • Error writing to an onboard Micro SD card. • Error sending or receiving data over the network. • Unauthorized access to the camera.
--------------------------	---

Premium Features

Abandoned/Missing Object	A target leaves an object in designated area, or a target removes an object from the same designated area.
---------------------------------	--

Thermal Analytics+

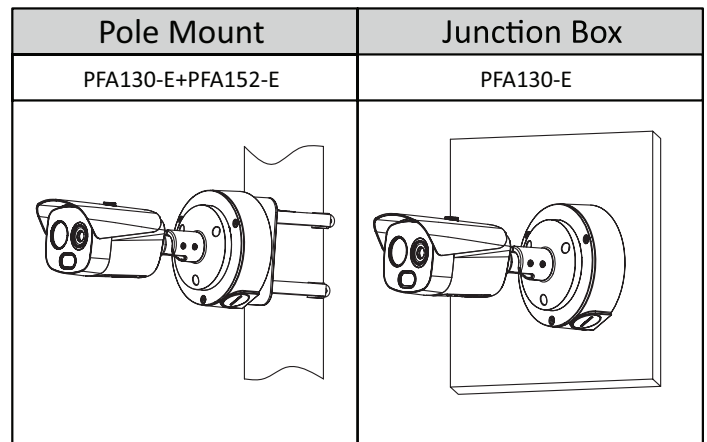
Fire Detection	Detects a rise in temperature over a short time and issues an alarm for a potential fire.
Cold/Hot Spot Trace	Indicates the coldest and the hottest spot of the scene.
Smoking Detection	Detects a person smoking in the thermal image and triggers a pre-determined action (voice prompt, white light) to alert the person of the smoking policy.
Human/Vehicle Classification	Detects human or vehicle violations using Tripwire or Intrusion detection methods.

Ordering Information

Type	Part Number	Description
Hybrid Network Camera	DH-TPC-BF1241N-D3F4	Hybrid Network Bullet Camera, Thermal: 256 x 192, 3.5 mm lens, Visible-light: 4 MP, 4 mm lens
	DH-TPC-BF1241N-D7F8	Hybrid Network Bullet Camera, Thermal: 256 x 192, 7 mm lens, Visible-light: 4 MP, 8 mm lens
Mounting Accessories, optional	PFA130-E	Junction Box
	PFA151	Corner Mount
	PFA152-E	Pole Mount
	DH-PFM320D-US	12 VDC, 2 A Power Adapter

Accessories

Optional:



Dimensions(mm/in.)

