

5MP WiFi Video Doorbell



- 1/2.7-in. 5 MP Progressive-scan CMOS Sensor
- Dual-band WiFi, IEEE802.11a/b/g/n/ac, 2.4 GHz and 5 GHz options
- H.265 and H.264 Dual Video Compression
- 2560 x 1920 at 15 fps Maximum Resolution
- 2.2 mm Fixed Lens
- Built-in Microphone and Speaker for Real-time Communication
- Motion Detection with Human Detection
- Built-in White-light Illuminator for Visual Deterrence
- Maximum IR LED Length 5.0 m (16.50 ft)
- Five-year Warranty*

System Overview

The 5MP WiFi Video Doorbell is a component of the Dahua LincX2PRO residential series. The doorbell offers specialized motion detection that distinguishes humans from other objects, and transmits video and audio to a mobile device for remote visual confirmation and communication with visitors. This device is compatible with Dahua NVRs; Dahua X5, X7, and X82 Series HDCVI DVRs, and with the DMSS mobile application.

Technical Specifications

Camera

Image Sensor	1/2.7-in. 5MP CMOS
Effective Pixels	2560 x 1920
RAM/ROM	256 MB / 128 MB
Electronic Shutter Speed	Auto/Manual 1/3 s to 1/100,000 s
Scanning System	Progressive
IR Distance	5.0 m (16.50 ft)
IR Control	Automatic
IR Illuminator	Two (2) LEDs
White-light Illuminator	Built-in, programmable
Built-in Battery	200 mAh Lithium Battery

Lens

Lens Type	Fixed-focal
Lens Mount	M8
Focal Length	2.2 mm
Maximum Aperture	F2.0
Angle of View	Horizontal: 124° Vertical: 92° Diagonal: 164°
Iris Control	Fixed
Close Focus Distance	0.80 m (2.62 ft)

DORI Distances¹

Detect (8 ppf)	Observe (19 ppf)	Recognize (38 ppf)	Identify (76 ppf)
44.0 m (144.36 ft)	17.60 m (57.74 ft)	8.80 m (28.87 ft)	4.40 m (14.44 ft)

Video

Video Compression	H.265, H.264	
Resolution	High	2560 x 1920 at 15 fps
	Medium	1440 x 1080 at 15 fps
	Low	640 x 480 at 15 fps
Streaming Capability	Two (2) Streams	
Frame Rate	Main Stream	2560 x 1920 at 15 fps
	Sub Stream	640 x 480 at 15 fps
Video Bit Rate	H.264: 32 kbps to 8192 kbps H.265: 32 kbps to 8192 kbps	
Day/Night	Auto (ICR), Color, B/W	
WDR	Digital WDR	
Optical Features	White Balance, Smart Illumination	
Noise Reduction	3D NR	
Motion Detection	On, Off	

Audio

Interface	Input: One (1) Built-in Microphone Output: One (1) Built-in Speaker
Two-way Talk	Three (3) built-in pre-recorded messages plus three (3) customized recorded messages
Compression	G.711A, G.711Mu, PCM
Audio Sampling	8 KHz, 16 KHz, 32 KHz

WiFi¹

	DH-DB6I	DH-DB6I-CAN
2.4 GHz IEEE802.11b/g/n	<ul style="list-style-type: none"> • 2400 to 2483.5 MHz RF POWER ≤30 dBm 	<ul style="list-style-type: none"> • 2400 to 2483.5 MHz RF POWER ≤30 dBm
5 GHz IEEE802.11a/n/ac	<ul style="list-style-type: none"> • 5150 to 5350 MHz, 5470 to 5725 MHz RF POWER ≤24 dBm • 5725 to 5850 MHz RF POWER ≤30 dBm 	<ul style="list-style-type: none"> • 5250 to 5350 MHz 5470 to 5600 MHz 5650 to 5725 MHz RF POWER ≤24 dBm • 5725 to 5850 MHz RF POWER ≤30 dBm

Network

Network Protocol	IPv4; IPv6; HTTP; TCP; UDP; ARP; RTP; RTSP; RTCP; DHCP; DNS; DDNS; QoS; NTP; Multicast; ICMP; IGMP
Edge Storage	Micro SD Card Slot, maximum 256 GB
Interoperability	CGI, P2P, SDK, API
Mobile Operating System	IOS, Android
Management Software	DMSS
Compatibility	<ul style="list-style-type: none"> Any Dahua NVR Dahua X5, X7, X82 Series HDCVI DVRs Dahua DMSS Mobile Application

Certifications

Electromagnetic Compatibility (EMC)	47 CFR FCC Part 15, Subpart B; FCC ID: FCC PART 15C; FCC PART 15E
-------------------------------------	---

Electrical

Power Supply	12 VDC to 24 VDC or 16 VAC to 24 VAC, 0.8 A USB (5 VDC±5%, 2 A) ²	
Power Consumption	5 VDC	Basic: 2.3 W Maximum: 3.3 W
	12-24 VDC	Basic: 2.9 W Maximum: 4.8 W
	16-24 VAC	Basic: 2.9 W Maximum: 4.9 W

Environmental

Operating Temperature	-20° C to +50° C (-4° F to 122° F), Less than 95% RH
Ingress Protection	IP65

Construction

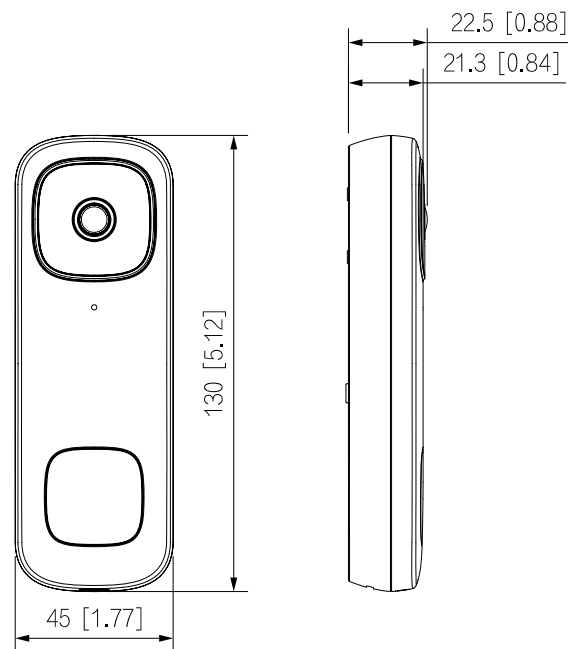
Casing	Plastic
Dimensions (L x W x H)	130.0 mm x 45.0 mm x 22.50 mm (5.12 in. x 1.77 in. x 0.88 in.)
Net Weight	0.11 kg (0.24 lb)
Gross Weight	0.51 kg (1.12 lb)
Installation	Surface-mount

Ordering Information

Type	Part Number	Description
WiFi Video Doorbell	DH-DB6I	5MP WiFi Video Doorbell, 2.4 GHz and 5 GHz Wi-Fi connectivity, two-way talk, Available in USA only
	DH-DB6I-CAN	5MP WiFi Video Doorbell, 2.4 GHz and 5 GHz Wi-Fi connectivity, two-way talk, Complies to Canadian Regulations
Package Contents		<ul style="list-style-type: none"> Quick Start Guide (QSG) Video Doorbell Power Kit for Chime (referred to as a Chime Kit in QSG) 32 GB Pre-installed MicroSD Card Wiring Package 15° Horizontal Bracket 5° Vertical Bracket Mounting Kit

Dimensions

mm [inch]



- The DORI distance is a measure of the general proximity for a specific classification to help pinpoint the right camera for your needs. The DORI distance is calculated based on sensor specifications and lab test results according to EN 62676-4, the standard that defines the criteria for the Detect, Observe, Recognize and Identify classifications.
- Do not supply power to the DH-DB6I via the USB port. Use only the Power Input Ports, as detailed in the Quick Installation Guide, to supply power to the device.