

# RFID Reader

## 13.56 MHz Waterproof Reader



- Wiegand and RS-485 Protocols
- MIFARE 13.56 MHz Card
- Waterproof Design
- Watch Dog Function for Tamper Detection
- Sensitive Touch Keypad with Blue Backlight
- Audio Indicator
- Surface-mounted Installation
- IP66 Ingress Protection



### Technical Specification

#### System

Audio Indicator	Buzzer; Tamper Alarm
Unlock Mode	Card Swipe, Password, Combination of Unlock Modes
Protocol	Wiegand, RS-485

#### Reader

Format	13.56 MHz MIFARE
Range	0 cm to 5.0 cm (0 in. to 1.97 in.)
Response Time	0.1 s

#### Interface

Controller Comptability	One (1) RS-485 Channel One (1) Wiegand Output Channel
-------------------------	--

#### Certifications

Safety	EN 55032:2015 EN 61000-3-2:2019 EN 61000-3-3:2013+A1:2019 EN 55035:2017 EN 50130-4:2011/A1:2014 EN 55024:2010/A1 :2015
Electromagnetic Comptability (EMC)	CFR 47 FCC Part 15 Subpart and ANSI C63.4-2014 ICES-003 Issue 7 Electromagnetic Compatibility Directive 2014/30/EU

#### Electrical

Power Supply	12V 0.5A DC
Power Consumption	Standby: ≤ 0.9 W Working: ≤ 1.7 W

#### Environmental

Operating Temperature	-30 °C to +70 °C (-22 °F to +158 °F)
Operating Humidity	5% RH to 95% RH (Non-condensing)
Ingress Protection	IP66 (Silicone sealant required, see manual)

#### Construction

Casing	PC, Acrylic Panel	
Product Dimensions (L x W x H)	123.0 mm x 86.0mm x 15.0 mm (4.84 in. x 3.39 in. x 0.59 in.)	
Packaging Dimensions (L x W x H)	Inner Carton	185.0 mm x 163.0 mm x 71.0 mm (7.28 in. x 6.42 in. x 2.80 in.)
	Outer Carton	578.0 mm x 383.0 mm x 349.0 mm (22.76 in. x 15.08 in. x 13.74 in.)
Gross Weight	0.35 kg (0.77 lb)	
Installation Method	Surface Mount	

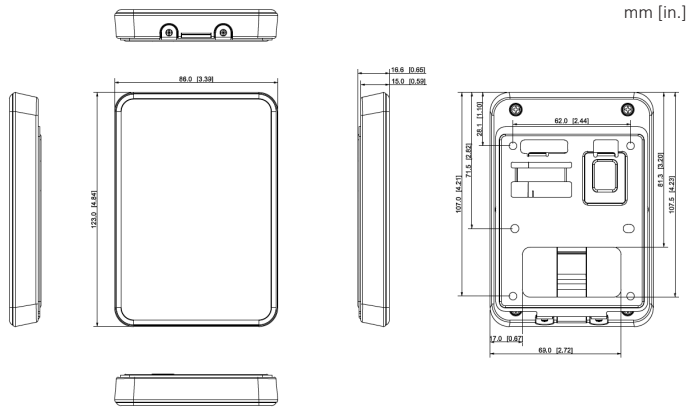
### Accessory - IC Card

Model Number	IC-S50
Standard	MIFARE S50, 13.56 MHz
Comptability	ISO/IEC 14443A
Range	Approximately 10.0 cm (3.94 in.)
Dimensions	86.0 mm x 54.0 mm x 0.80 mm (3.39 in. x 2.13 in. x 0.03 in.)
Weight	0.006 kg (0.013 lb)
Manufacturer/Brand	Dahua

### Accessory - IC Key Fob

Model Number	IC-SM
Standard	MIFARE S50, 13.56 MHz
Comptability	ISO/IEC 14443A
Range	Approximately 10.0 cm (3.94 in.)
Manufacturer/Brand	Dahua

Dimensions



Application

