



## Technical Specification

### Camera

Image Sensor	1/2.8-in. STARVIS™ CMOS Sensor
Effective Pixels	1920(H) x 1080(V), 2MP
Scanning System	Progressive
Electronic Shutter Speed	1/3 s to 1/100,000 s
Minimum Illumination	Color: 0.005 lux at F1.6 B/W: 0.0005 lux at F1.6 0 lux at F1.6 with IR on
IR Distance	Distance up to 100.0 m (328.08 ft)
IR On/Off Control	Auto, Manual, Timer
IR LEDs	Six (6)

### Lens

Focal Length	4.8 mm to 120 mm
Max. Aperture	F1.6 to F3.5
Angle of View	Horizontal: 2.8° to 61.0° Vertical: 0.40° to 22.60°
Optical Zoom	25x
Focus Control	Auto, Semi-automatic, Manual
Close Focus Distance	100 mm to 1500 mm (3.93 in. to 59.06 in.)

### DORI Distance<sup>1</sup>

Detect (8 ppf)	Observe (19 ppf)	Recognize (38 ppf)	Identify (76 ppf)
1655.20 m (5430.45 ft)	656.80 m (2154.86 ft)	331.0 m (1085.96 ft)	165.50 m (542.98 ft)

### PTZ

Pan/Tilt Range	Pan: 0° to 360° Tilt: -15° to 90°
Manual Control Speed	Pan: 0.1° to 200° /s Tilt: 0.1° to 120° /s
Preset Speed	Pan: 240° /s Tilt: 200° /s
Presets	300
PTZ Mode	5 Pattern, 8 Tour, Auto Pan, Auto Scan
Speed Setup	Human-oriented Focal Length / Speed Adaptation
Power up Action	Auto restore to previous PTZ and lens status after power failure
Idle Motion	Activate Preset, Scan, Tour, Pattern if there is no command in the specified period
Protocol	DH-SD, Pelco-P/D (Auto-recognition)

### Video

Resolution	1080p (1920 x 1080), 720p (1280 x 720), D1 (704 x 580)	
Frame Rate	1080p at 30 fps or 720p at 30/60 fps	
Transmission Rates <sup>2</sup>	RG-59/U Coax	720p: 500 m (1640.42 ft) 1080p: 400 m (1312.34 ft)
	RG-6/U Coax	720p: 800 m (2624.67 ft) 1080p: 600 m (1968.50 ft)
	CAT 6 UTP (balun required)	720p: 380 m (1246.72 ft) 1080p: 380 m (1246.72 ft)
Day/Night	Auto (ICR), Color, B/W, Timer	
OSD Menu	English, French, German, Italian, Japanese, Polish, Portuguese, Russian, Spanish	
Backlight Compensation	BLC, HLC, WDR (120 dB)	
White Balance	Auto, Indoor, Outdoor, Tracking, Manual, Sodium Lamp, Natural Light, Street Lamp	
Gain Control	Auto, Manual	
Noise Reduction	2D/3D	
Advanced Features	Motion Detection, Region of Interest, Defog, Image Stabilization, Defog	
Digital Zoom	16x	
Flip	0° / 180°	
Privacy Masking	Up to 24 areas	

### Certifications

CE	EN 55032 EN 55024 EN 50130-4
UL	UL60950-1 + CAN/CSA C22.2, No.60950-1
Electromagnetic Compatibility (EMC)	FCC Part 15 Subpart B ANSI C63.4-2014

### Interface

Video	One (1) BNC High-definition Video Output (HDCVI, AHD, TVI) or CVBS Standard Definition Video Output (switchable)
Audio	Input: One (1) Channel
Alarm	Input: Two (2) Channels Output: One (1) Channel

### Electrical

Power Supply	12 VDC, 3 A ± 10%
Power Consumption	9.6 W, 23.2 W with IR on

### Environmental

Operating Conditions	-40° C to 70° C (-40° F to +158° F), with built-in heater, Less than 95% RH
Ingress Protection	IP66
Surge Protection	TVS 6000V

### Construction

Casing	Metal
Dimensions	ø160.0 mm x 295.4 mm (ø6.30 in. x 11.63 in.)
Net Weight	3.0 kg (6.61 lb)
Gross Weight	4.20 kg (9.26 lb)

1. The DORI distance is a measure of the general proximity for a specific classification to help pinpoint the right camera for your needs. The DORI distance is calculated based on sensor specifications and lab test results according to EN 62676-4, the standard that defines the criteria for the Detect, Observe, Recognize and Identify classifications.

2. Transmission distance results verified by real-scene testing in Dahua's test laboratory. Actual transmission distances may vary due to external influences, cable quality, and wiring structures.

**Ordering Information**

Type	Part Number	Description
2MP PTZ Camera	49225ICLA	2MP 25x Starlight IR HDCVI PTZ Camera, True WDR
Accessories, included	PFB305W	Wall Mount
Accessories, optional	PFA111	Mount Adapter
	PFA120	Water-proof Junction Box
	PFA140	Power Box
	PFA150	Pole Mount
	PFA151	Corner Mount
	PFB300C	Ceiling Mount
	PFB303S	Parapet Mount
	DC12V/3A	Power Adapter

**Accessories**

Included:



PFB305W  
Wall Mount

Optional:



PFA111  
Mount Adapter



PFA120  
Junction Box



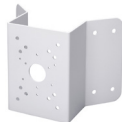
PFA140  
Power Box



DC12V/3A  
Power Adapter



PFB300C  
Ceiling Mount



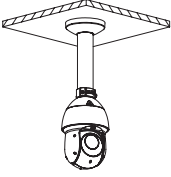

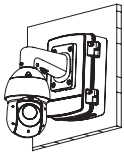
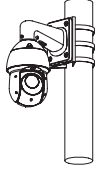
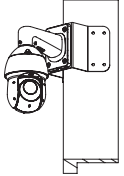
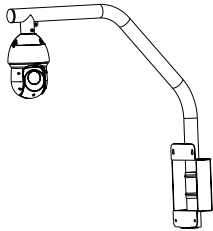
PFA151  
Corner Mount



PFA150  
Pole Mount



PFB303S  
Parapet Mount

Ceiling Mount	Junction Mount
PFA111 + PFB300C	PFB305W + PFA120
	
Power Box Mount	Pole Mount
PFB305W + PFA140	PFB305W + PFA150
	
Corner Mount	Parapet Mount
PFB305W + PFA151	PFA111+ PFB303S
	

**Dimensions (mm/in.)**

