





## Environmental

Operating Conditions	-40° C to 70° C (-40° F to +158° F) Less than 95% RH
Ingress Protection	IP67
Surge Protection	TVS 6000V

## Construction

Casing	Metal
Dimensions	ø415.90 mm x 262.0 mm (ø16.37 in. x 10.31 in.)
Net Weight	10.0 kg (22.05 lb)
Gross Weight	12.0 kg (26.46 lb)

## Analytics+ Functions<sup>2</sup>

Perimeter Protection	<ul style="list-style-type: none"> <li>Detects human or vehicle violations using the following methods:  <b>Tripwire:</b> a target crosses a defined line.  <b>Intrusion:</b> a target enters or exits a defined perimeter.</li> <li>Filters actions that may produce a false alarm due to animals, leaves, and bright lights.</li> </ul>
Face Detection+	<ul style="list-style-type: none"> <li>Detects and captures a snapshot of a human face within a scene.</li> </ul>

## Intelligent Video System Functions<sup>2</sup>

IVS triggers an alarm and takes a defined action for the following events:

Standard Features	<ul style="list-style-type: none"> <li>Tampering with the camera.</li> <li>Error writing to an onboard Micro SD card.</li> <li>Error sending or receiving data over the network.</li> <li>Unauthorized access to the camera.</li> <li>IP Address Conflict</li> </ul>
Premium Features	
Motion	An object moves through any part of the scene.
Abandoned/Missing Object	A target leaves an object in designated area, or a target removes an object from the same designated area.
Advanced Features	
Auto-tracking	Controls the pan/tilt/zoom actions of the camera to automatically track an object in motion and to keep it in the scene.

## Ordering Information

Type	Part Number	Description
4K PTZ Camera	8A840PANF	40x IR PTZ Starlight Network Camera with Analytics+
Accessories, Included	PFB306W	Wall Mount
	36 VDC/2.23A	Power Adapter
Accessories, Optional	PFA150	Pole Mount
Accessories, Optional Dahua Hi-PoE Power Source	PFT1200	Hi-PoE Midspan
	DH-LR2110-8ET-120	8-port ePoE Layer 2 Switch

## Accessories

Included:



PFB306W  
Wall Mount



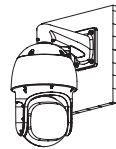
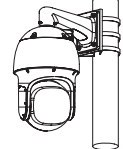
36 VDC/2.23 A  
Power Adapter

Optional:



PFA150  
Pole Mount

## Installation

Wall Mount	Pole Mount(Vertical)
PFB306W	PFA150+PFB306W
	

## Dimensions (mm/in.)

