







**X82B3A4 Technical Specification, continued**

Electrical

Power Supply	12 VDC, 5 A
Power Consumption	< 15 W, without HDD

Construction

Dimensions	
HDCVI DVR	1U, 375.0 mm x 278.40 mm x 53.0 mm (14.76 in. x 10.96 in. x 2.09 in.)
with PFH101 Rack Mount Tray	482.6 mm x 287.15 mm x 53.0 mm (19.0 in. x 11.31 in. x 2.09 in.)
Net Weight	1.90 kg (4.20 lb)
Gross Weight	3.20 kg (7.05 lb)
Installation	Desktop or Rack-mount

Video Transmission Distance

RG-59/U Coax	720p:	800 m (2624.67 ft)
	1080p:	500 m (1640.42 ft)
	4K/4MP:	500 m (1640.42 ft)
RG-6/U Coax	720p:	1200 m (3937.01 ft)
	1080p:	800 m (2624.67 ft)
	4K/4MP:	700 m (2296.59 ft)
CAT 6 UTP (balun required)	720p:	450 m (1476.38 ft)
	1080p:	300 m (984.25 ft)
	4K/4MP:	300 m (984.25 ft)

Environmental

Operating Conditions	-10° C to +55° C (+14° F to +131° F), 10% to 90% RH
Storage Conditions	-20° C to +70° C (-4° F to +158° F), 0% to 90% RH

Third-party Support

Third-party Support	Dahua, Arecont Vision, AXIS, Bosch, Brickcom, Canon, CP Plus, Dynacolor, Honeywell, Panasonic, Pelco, Samsung, Sanyo, Sony, Videotec, Vivotek, and others
---------------------	---

Certifications

Safety	UL 62368-1 EN 60950-1 IEC 60950-1
Electromagnetic Compatibility (EMC)	FCC CFR 47 Part 15 Subpart B EN 61000-3-2 EN 61000-3-3 EN 55032 EN 50130 EN 55024

**Ordering Information**

Type	Part Number	Description
5MP HDCVI Security System	C865E124A	
	• A51BJ02	5MP HDCVI IR 2.8 mm Fixed Lens Eyeball Camera, 16:9 Aspect Ratio (x12)
	• X82B3A4	16-Channel Penta-brid 4K 1U, 4 TB Digital Video Recorder (x1)
Camera Accessories, optional	PFA106	Mount Adapter (For use with PFB305W wall mount)
	PFA13A-E	Junction Box (For use alone or with PFA152-E pole mount)
	PFA150	Pole Mount (For use with PFA106 and PFB305W)
	PFA151	Corner Mount (For use with PFA106 and PFB305W)
	PFA152-E	Pole Mount (For use with PFB204W wall mount)
	PFA200G	Gang Box Adapter
	PFB204W	Wall Mount (For use alone or with PFA152-E pole mount)
	PFB220C	Ceiling Mont (For use with PFA106)
	PFB305W	Wall Mount (For use with PFA106)
	DH-PFM321D-US	12 VDC, 1 A Power Adapter
	DH-PFM800-4K	4K Passive HDCVI Balun
	HDCVI DVR Accessory, optional	PFH101

**Package Contents (individual devices ship with the following:)**

Product	Material
HDCVI Cameras	Printed Manual Printed Regulatory Guide Plastic Wall Anchors with Screws (x3) Mounting Template
Storage Device	Quick Network Guide Printed Manual Printed Regulatory Guide Mouse Adapter Power Adapter with Power Cord Ethernet Cable, RJ45 Alarm Cable Molex Units (x3) Screws (x4)

**Camera Accessories**

Optional:



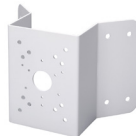
PFA106  
Mount Adapter



DH-PFA13A-E  
Junction Box



PFA150  
Pole Mount



PFA151  
Corner Mount



PFA152-E  
Pole Mount



DH-PFA200G  
Gang Box Adapter



PFB204W  
Wall Mount



PFB220C  
Ceiling Mount



PFB305W  
Wall Mount

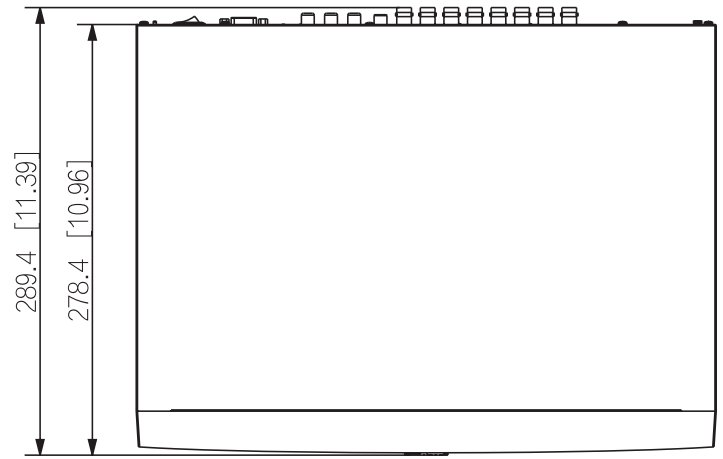
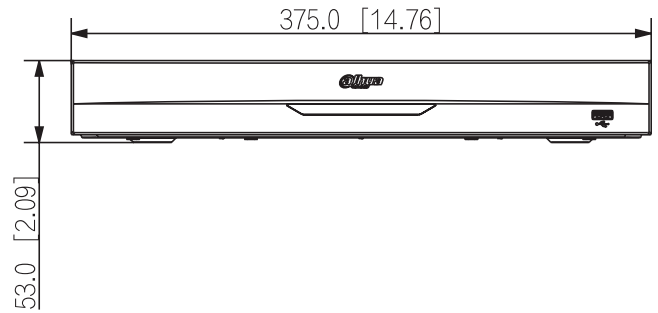


DH-PFM321D-US  
12 VDC, 1 A Power  
Adapter

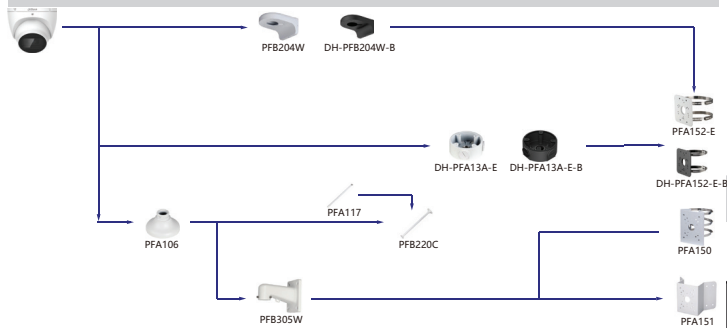


DH-PFM800-4K  
Passive HDCVI Balun

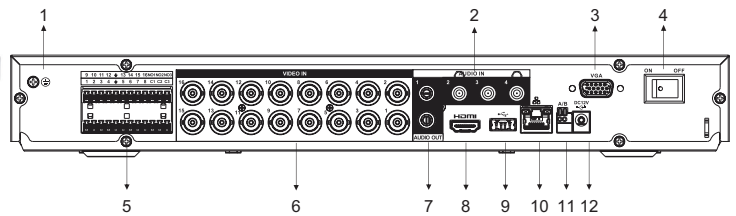
**X82B3A4 Dimensions (mm/in.)**



**A51BJ02 Mounting Diagram**



**X82B3A4 Rear Panel**



1	Ground	7	Audio Output (x1 RCA)
2	Audio Input (x4 RCA)	8	HDMI Output
3	VGA Output	9	USB Port
4	Power Switch	10	RJ45 Ethernet Port (1000 Mbps)
5	Alarm Input (x16) Alarm Output (x3)	11	RS485 Port
6	Video Input (x16 BNC)	12	Power Input

**A51BJ02 Dimensions (mm/in.)**

