

Mount Adapter

For use with Mini PTZ Cameras



- Aluminum Construction
- 2.0 kg (4.41 lb) Load Bearing Capacity
- Compatible with 1A203TNI and 12203TNI Mini PTZ Network Cameras

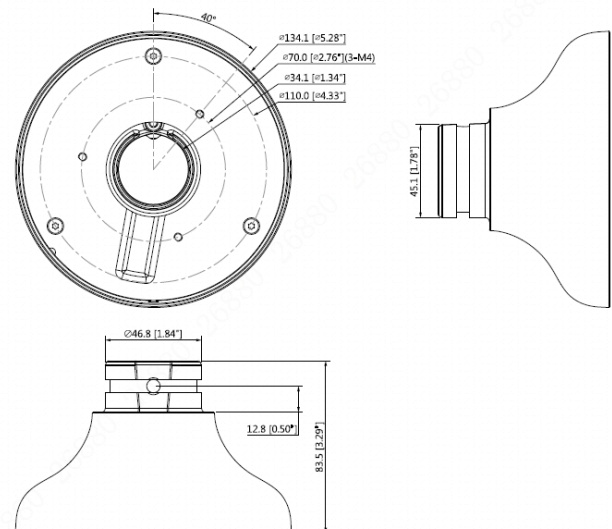
Technical Specifications

Material	Aluminum
Dimensions	ø134.10 mm x 83.50 mm (ø5.28 in. x .3.29 in.)
Weight	0.29 kg (0.64 lb)
Color	White
Load Bearing Capacity	1.0 kg (2.20 lb)
Operating Temperature	-40 °C to 60 °C (-40 °F to 140 °F)
Humidity	< 90% RH
Applicable Models	Compatible Mounts: • PFB220C Ceiling Mount • PFB305W Wall Mount

Ordering Information

Type	Part Number	Description
Mount	DH-PFA107	Mount Adapter

Dimensions (mm/in.)



Application

Wall Mount	Ceiling Mount
PFB305W+PFA107	PFB220C+PFA107