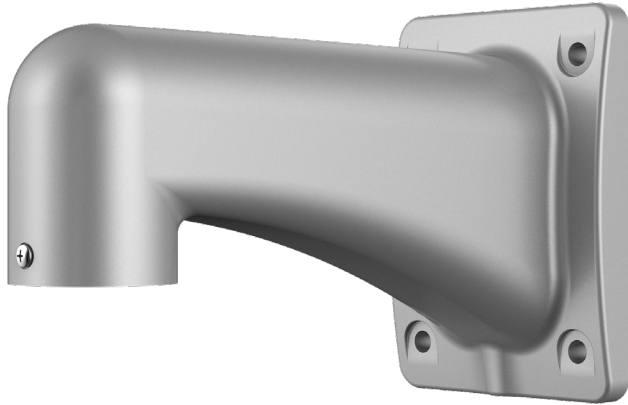


Wall Mount Bracket



- Aluminum Construction
- 7.0 kg (15.43 lb) Load Bearing Capacity
- Compatible with DH-IPC-PDBW8840N-A180

Technical Specifications

Material	Aluminum
Color	Silver-gray
Dimensions (L x W x H)	255.0 mm x 115.0 mm x 160.0 mm (10.04 in. x 4.53 in. x 6.30 in.)
Weight	0.66 kg (1.46 lb)
Load Bearing Capacity	7.0 kg (15.43 lb)
Operating Temperature	-40 °C to 60 °C (-40 °F to 140 °F)
Humidity	< 90% RH
Compatibility	DH-IPC-PDBW8840N-A180

Ordering Information

Type	Part Number	Description
Wall Mount	DH-PFB303W-SG	Wall Mount Bracket, silver-gray

Dimensions (mm/in.)

