

Waterproof Junction Box

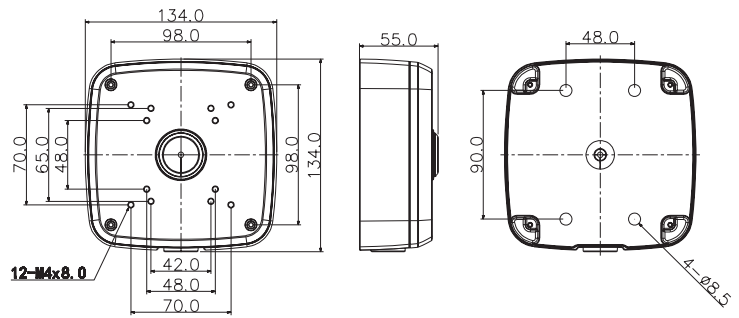


- Neat and Integrated Design
- Aluminum
- IP66 Ingress Protection

Technical Specifications

Material	Aluminum
Dimensions (W x H x D)	134.0 mm x 134.0 x 55.0 mm (5.28 in. x 5.28 x 2.17 in.)
Weight	0.50 kg (1.10 lb)
Load Bearing Capacity	3.0 kg (6.61 lb)
Color	White
Ingress Protection	IP66
Operating Temperature	-40 °C to 60 °C (-40 °F to 140 °F)
Humidity	0% to 90% RH

Dimensions (mm)



Ordering Information

Type	Part Number	Description
Waterproof Junction Box	PFA120	Junction Box, White
Package Contents	1	Junction Box
	4	M4 x 10 Screws
	4	ST6 Screws
	4	Plastic Anchors
	1	S3.0 Wrench