

# Eight-channel Mobile HDCVI DVR

1080p H.264 Mobile Digital Video Recorder



- Eight-channel 1080p Real-time Recording
- 8 + 4 IP Camera Channels, each channel up to 2 MP
- Dual-stream Recording
- Penta-brid Video Input: HDCVI, AHD, TVI, CVBS, IP
- H.264 Video Compression
- Simultaneous VGA and TV Video Output Channels
- Two (2) 2.5-in. Hard Disk Drive Ports† and One (1) SD Card Slot
- Aviation Connectors for Increased Signal Stability
- Five-year Warranty\*

## System Overview

Dahua Mobile Solutions offers a durable mobile video security solution that provides reliable security for transit agencies. The Mobile Solution HDCVI DVR (or MXVR) operates across different transportation networks. The MXVR simultaneously records 1080p Full HD real-time video from eight (8) analog/HDCVI cameras and provides two (2) simultaneous video output channels.

## Functions

### Anti-vibration

Using a shock-absorbing material and a newly-designed structure, the hard disk enclosure can withstand varying degrees of vibration, allowing normal operation in the most extreme mobile applications.

### Wide-range Power Supply

The MXVR accepts a wide voltage range (6 VDC to 36 VDC) to accommodate the voltage output from a vehicle battery. The voltage range protects the recorder from fluctuating power output from the vehicle battery during operation.

### Multi-format Support

The HDCVI DVR supports multiple video formats including, HDCVI, CVBS, AHD, TVI, and IP. The recorder automatically recognizes the incoming signals of each attached camera without any setup, making installation easy and operation convenient.

## Technical Specification

### System

Main Processor	Embedded Microprocessor
Operating System	Embedded LINUX

### Video and Audio

Video	Input	Eight (8) Channels, HDCVI, AHD, TVI, CVBS; plus Four (4) IP Channels, up to 2 MP per input
	Supported Resolution	Analog Cameras: 525 Lines HDCVI Cameras: 1080p IP Cameras: 1080p
	Connections	Eight (8) Channels, M12 A-coded 4-pin Connectors, Four (4) M12 D-coded Connectors (for IP cameras)
Audio, Two-way Talk		One (1) Channel Input One (1) Channel Output

### Display

Interface	One (1) VGA Output Port One (1) TV Output Port
Resolution	1920 x 1080, 1280 x 1024, 1280 x 720, 1024 x 768, 800 x 600
Display Split	1/4/8/9/12
Privacy Masking	Four (4) Rectangular Zones (each camera)
On-screen Display	Camera Title, Time, Video Loss, Camera Lock, Motion Detection, Recording

### Recording

Video Compression	H.264	
Audio Compression	G.711	
Record Rate	Main Stream	12 Channels of 1080p at 30 fps
	Sub Stream	D1 and CIF at 30 fps
Bit Rate	48 Kbps to 8192 Kbps	
Record Mode	Manual, Schedule (Regular - Continuous, MD, Alarm), Stop	
Record Interval	1 minute to 120 minutes (default: 60 minutes) Pre-record: 1 s to 30 s Post-record: 10 s to 300 s	

### Video Detection and Alarm

Trigger Events	Recording, PTZ, Tour, Alarm, Email, FTP, Buzzer, and Screen Tips
Video Detection	Motion Detection, MD Zones: 330 (22 x 15), Video Loss, and, Tampering
Alarm Input	Nine (9) Channels: • Channels 1 to 7: Local Alarm • Channels 8 to 9: Pulse Input
Relay Output	Two (2) Total Channels, One (1) Relay Output, One (1) Control 12V Output

### Playback and Backup

Playback	Four (4) Channels
Search Mode	Time/Date, Alarm, Motion Detection, and Exact Search (accurate to one second)
Playback Function	Play, Pause, Stop, Rewind, Fast Play, Slow Play, Next File, Previous File, Next Camera, Previous Camera, Full Screen, Repeat, Shuffle, Backup Selection, Digital Zoom
Backup Mode	USB Device/Network

### Storage

Internal HDD	Two (2) SATA 2.5-in. HDD Ports, up to 2 TB per HDD (HDDs sold separately)
SD Card	One (1) SD Card Slot, up to 256 GB

### Network

Ethernet	One (1) Ethernet Interface (10/100 Mbps)
Network Function	TCP/IP, UDP, DHCP, DDNS, FTP, Email, Alarm Server
Maximum User Access	128 Users
Mobile Operating System	IOS, Android

### Auxiliary Interface

USB	Front Panel: Two (2) USB 3.0 Ports
RS232	Two (2) Ports, for PC Communication and Keyboard
RS485	One (1) Ports, for PTZ Control

### Electrical

Power Supply	6 VDC to 36 VDC
Power Consumption	< 12 W, without HDD

### Environmental

Operating Temperature	-30° C to +60° C (-22° F to +131° F)
Operating Humidity	10% to 90% RH
Storage Conditions	-30° C to +70° C (-22° F to +158° F), 0% to 90% RH

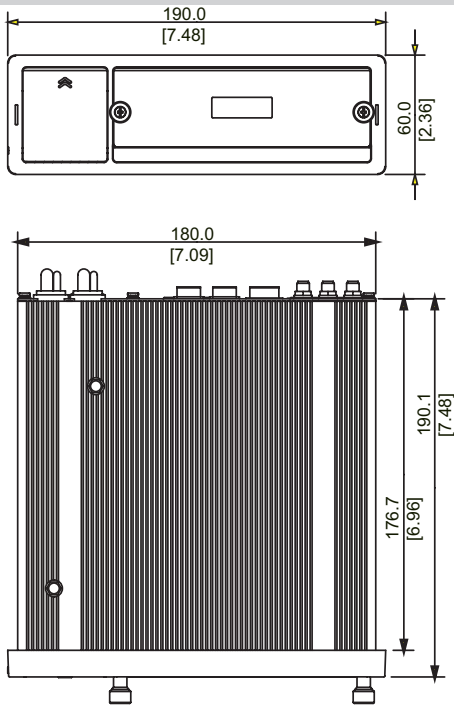
### Construction

Dimensions	180.0 mm x 190.0 mm x 50.0 mm (7.08 in. x 7.48 in. x 1.96 in.)
Net Weight	1.92 kg (4.23 lb), without HDD
Package Weight	3.40 kg (7.50 lb)

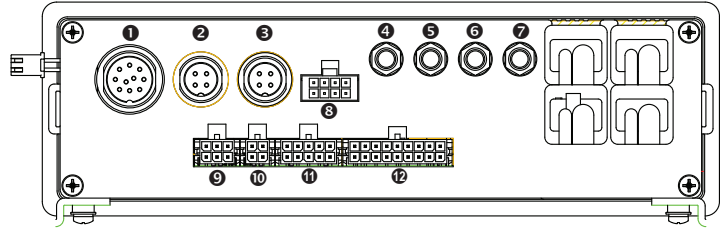
**Ordering Information**

Type	Part Number	Description
Mobile HDCVI DVR	MX6212-VM	Eight (8) HDCVI, AHD, TVI, CVBS Channels, 1080p, Digital Video Recorder
Accessory, optional	MA-PB01	Mobile Recorder Protective Enclosure
	MA-DPBB6401	Emergency Backup Recording Device
	MP06	Full-Duplex Talkback Terminal
	MLED-BOX	Mobile Recorder Status Indicator with Panic Button
	DH-LM10-V100	10.1-in. WXGA LCD Monitor
	MC-AF4-AM4-18	M12 (A-Coding) HDCVI 4-pin Aviation Cable, 18.0 m (59.06 ft)
	MC-AF4-AM4-6	M12 (A-Coding) HDCVI 4-pin Aviation Cable, 6.0 m (19.68 ft)

**Dimensions (mm/in.)**



**Rear Panel**



1	VGA Output	7	N/A
2	A/V Output	8	Reserved
3	RS485 Input	9	Audio Input/Output
4	N/A	10	RS485 Input
5	N/A	11	External USB
6	Reserved Port	12	Alarm Input/Output