

IP and WiFi Indoor Monitor



- 7-inch Capacitive Touch Screen, 1024 x 600 Resolution
- Setup and Activate up to Six (6) Alarm Inputs and One (1) Alarm Output
- WiFi Connection
- H.265 and H.264 Video Decoding
- Supports Standard PoE
- Contact Management Center with a Single Tap
- Integrated Micro SD Card Slot, maximum 64 GB
- Surface-mounted

System Overview

The DHI-VTH5421HB-W WiFi Indoor Monitor is designed with cutting-edge technology to give you convenience and peace of mind right at your fingertips. With its intuitive interface and WiFi capability, you can easily connect to outdoor VTO devices without extensive wiring and answer calls, open doors, and handle access control all from your mobile device.

The 10-inch high-definition touchscreen display gives a clear view of your guests day or night with its adjustable backlight and brightness. The built-in speaker and microphone allows for two-way audio communication.

Technical Specification

System

Main Processor	Embedded Processor
Operating System	Embedded Linux
Interoperability	ONVIF, SDK
Network Protocol	RTSP, RTP, SIP, DNS, SSH

Display

Screen Type	Capacitive Touchscreen
Display	7-inch TFT
Screen Resolution	1024 x 600

Audio

Compression	G.711a, G.711u, PCM
Mode	Two-way Audio
Enhancement	Echo Suppression
Bit Rate	16 kHz, 16-bit

Function

Communication Mode	Full Digital	
Information Release	<ul style="list-style-type: none"> • Receive/View Information Released by Central Station • Receive and view images (required SD Card) 	
Leave Videos	Viewing Requires SD Card	
DND Mode	Supported	
Number of Extensions	Villa	Nine (9)
	Apartment	Four (4)
	Intercom	One (1) Main Monitor, Two (2) Extension Monitors

Wi-Fi	Supported
Wireless Standard	IEEE802.11b/802.11g/802.11n
Wireless Frequency Range	2.4 GHz
Storage	MicroSD Card (Max. 64 GB)
Wireless Security Encryption	WPA/WPA2, WPA-PSK/WPA2-PSK

Interface

Audio	Input	One (1) Port
	Output	Built-in Speaker
Alarm	Input	Six (6) Channels
	Output	One (1) Channels
Power Output		One (1) 12 V/200 mA
Door Bell		Six (6) Ports (Use Open Alarm Input Port)
Network		One (1) Port (10/100 Mbps Ethernet)

Electrical

Power Supply		12 VDC 1 A, Standard PoE (36–57 V, 0.35 A)
Power Consumption	Standby	≤ 2 W
	Working	≤ 6 W

Environmental

Operating Temperature	–10 °C to +55 °C (+14 °F to 131 °F)
Operating Humidity	10% to 95% RH (non-condensing)

Construction

Casing	PC and ABS
Color	Black Bezel
Installation	Surface Mount
Dimensions	189.0 mm × 130.0 mm × 26.9 mm (7.44 in. × 5.12 in. × 1.06 in.)
Net Weight	0.35 kg (0.77 lb)
Gross Weight	0.56 kg (1.23 lb)

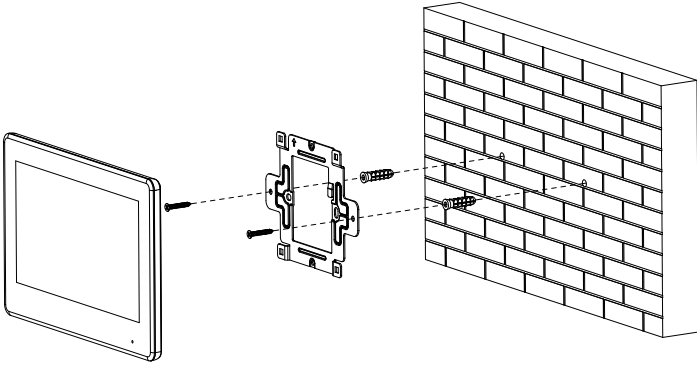
Certifications

Electromagnetic Compatibility (EMC)	CFR 47 FCC Part 15 Subpart B CFR 47 FCC Part 15 Subpart C FCC Guidelines for Human Exposure IEEE C95.1 ANSI C63.4-2014
-------------------------------------	---

Ordering Information

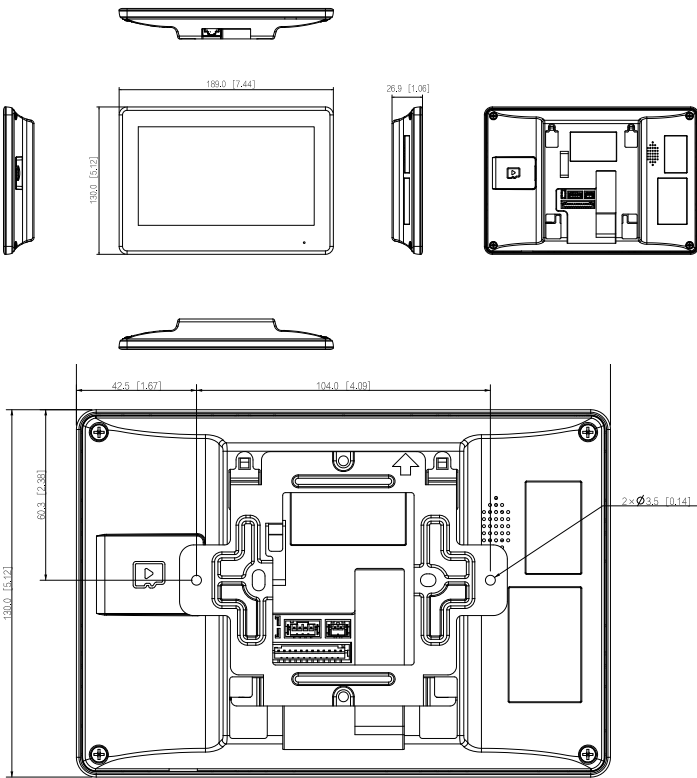
Type	Part Number	Description
IP Indoor Monitor	DHI-VTH5421HB-W	IP and WiFi Indoor Monitor
Accessories (Included)	<ul style="list-style-type: none"> • Surface-mount Bracket • Alarm Ribbon Cable 	

Installation



Dimensions

mm [in.]



Application

