

## Four-channel Basic Night Color (VU-MORE Color) Video Doorbell Security System

Three (3) 4MP Eyeball Network Cameras, One (1) WiFi Video Doorbell, One (1) 4-channel 4K NVR

### VU-MORE



### Wiz Sense

#### System Overview

The Dahua Video Doorbell Network Security System provides all the components to quickly install, configure, and employ a complete video security solution. The WiFi video doorbell offers 5MP video and two-way communication, the IP cameras offer the clarity of 4MP video, and the NVR offers built-in motion detection algorithms, alarm triggers, and customized recording modes. The doorbell and network cameras connect easily to the NVR for total system recording. In addition, the Video Doorbell and the NVR are compatible with the Dahua DMSS mobile application to view live video, configure and acknowledge alarms, and share video with authorized users.

#### Functions

##### Basic Night Color (VU-MORE Color) Technology

Dahua's Basic Night Color (VU-MORE Color) cameras offer multiple features such as motion detection and Smart Dual Illumination to provide deterrence, overtness, and full-color video in low-light scenes. These cameras are designed to reduce light pollution by only turning on the white-light LEDs for full color images when human motion is detected.

##### Smart Dual Illumination

The camera offers both IR and white-light illuminators and intelligently employs each depending on the situation. The camera enters the IR mode as ambient light decreases. When the camera detects an object entering the monitoring area, it activates the white-light illuminator to capture full-color details. Once the object leaves the area, the camera switches back to IR illumination.

##### WiFi Doorbell

The 5MP WiFi Video Doorbell is a component of the Dahua LincX2PRO residential series. The doorbell offers specialized motion detection that distinguishes humans from other objects, and transmits video and audio to a mobile device for remote visual confirmation and communication with visitors.

##### Perimeter Protection

Dahua Analytics+ includes Tripwire and Intrusion functions that offer custom tripwires based on object type for automation in limited access areas. Perimeter Protection requires less pixels to detect an object to deliver improved accuracy and decreased false alarms due to lights, weather, trees, or animals.

##### 4MP Network Cameras

- 1/3-in. 4MP Progressive-scan CMOS Sensor
- 4MP at 20 fps Maximum Resolution, 2.8 mm Fixed Lens
- Analytics+ Function: Perimeter Protection, Smart Motion Detection+
- Smart Dual Illumination — IR and White Light
- Basic Night Color Technology for Extreme Low-light Conditions

##### 5MP WiFi Video Doorbell

- 1/2.7-in. 5MP Progressive-scan CMOS Sensor
- Dual-band WiFi, IEEE802.11a/b/g/n/ac, 2.4 GHz and 5 GHz options
- H.265 and H.264 Dual Video Compression
- 2560 x 1920 at 15 fps Maximum Resolution

##### 4K Network Video Recorder

- 2 TB Pre-installed Hard Disk Drive
- Supports Remote Configuration and Management of Network Cameras
- Smart H.265+ and Smart H.264+ Dual Codec
- Maximum 80 Mbps Recording Bandwidth

##### Smart Motion Detection+

Smart Motion Detection, a component of Dahua's Analytics+ technology, improves alarm accuracy and decreases the number of false alarms. The advanced SMD algorithm analyzes a scene for human or vehicle motion, while filtering out other motion due to trees, leaves, animals, weather, and triggers an alarm when detected.

##### Flexible Recording

The NVR offers a variety of configurable recording options and schedules that saves disk space and active monitoring time. The NVR monitors incoming video and can be programmed to record if motion is detected or if an alarm is triggered. The NVR can also be programmed to record on a schedule or at different intervals. The recording options and schedules can be set for each individual camera or copied to all cameras.

##### Smart H.265+ and Smart H.264+

Smart H.265+ is the optimized implementation of the H.265 codec that uses a scene-adaptive encoding strategy, dynamic GOP, dynamic ROI, flexible multi-frame reference structure and intelligent noise reduction to deliver high-quality video without straining the network. Smart H.265+ technology reduces bit rate and storage requirements by up to 70% when compared to standard H.265 video compression.

Delivering high quality video without straining the network, Smart H.264+ is the optimized implementation of H.264. The Smart H.264+ encoding platform includes a scene adaptive encoding strategy, dynamic GOP, dynamic ROI, flexible multi-frame reference structure and intelligent noise reduction, providing a savings of up to 70% of bandwidth and storage when compared with standard H.264.

##### Environmental

With a temperature range of  $-40^{\circ}\text{C}$  to  $+60^{\circ}\text{C}$  ( $-40^{\circ}\text{F}$  to  $+140^{\circ}\text{F}$ ), the cameras are designed for extreme temperature environments. The cameras, subjected to rigorous dust and water immersion tests, are certified to the IP67 rating making them suitable for demanding outdoor applications.

The NVR features an operating temperature of  $-10^{\circ}\text{C}$  to  $+55^{\circ}\text{C}$  ( $+14^{\circ}\text{F}$  to  $+131^{\circ}\text{F}$ ).

**Technical Specification**

**N42DJS2 4MP VU-MORE Color Eyeball Network Camera**

**Camera**

Image Sensor	1/3-in. CMOS
Effective Pixels	2688 (H) x 1520 (V), 4MP
Scanning System	Progressive
RAM/ROM	128 MB/128 MB
Electronic Shutter Speed	Auto, Manual, 1/3 s to 1/100,000 s
Minimum Illumination	0.008 lux at F1.6 (Color, 30 IRE) 0.0008 lux at F1.6 (B/W, 30 IRE) 0 lux (Illuminator on)
S/N Ratio	> 56 dB
IR Distance	30 m (98.43 ft) (IR), 15 m (49.21 ft) (Warm light)
IR On/Off Control	Auto, Manual
Illuminators	One (1) IR LED, One (1) Warm Light

**Lens**

Lens Type	Fixed-focal			
Iris Type	Fixed			
Mount Type	M12			
Focal Length	2.8 mm			
Maximum Aperture	F1.6			
Angle of View	Horizontal	95°		
	Vertical	52°		
	Diagonal	114°		
Close Focus Distance	0.9 m (2.95 ft)			
DORI' Distance	Detect	Observe	Recognize	Identify
	63.6 m (208.66 ft)	25.4 m (83.33 ft)	12.7 m (41.67 ft)	6.4 m (20.99 ft)

**Pan / Tilt / Rotation**

Pan/Tilt/Rotation	Pan: 0° to 360° Tilt: 0° to 78° Rotation: 0° to 360°
-------------------	--

**Video**

Compression	Smart H.265+, Smart H.264+, H.264H, H.265, H.264, H.264B, MJPEG (Only supported by the sub stream)	
Streaming Capability	Two (2) Streams	
Resolution	4MP (2688 x 1520), 3.6MP (2560 x 1440), 3MP (2304 x 1296), 1080p (1920 x 1080), 1.3MP (1280 x 960), 720p (1280 x 720), D1 (704 x 480), VGA (640 x 480), CIF (352 x 240)	
Frame Rate	Main Stream	2688 x 1520 at 20 fps
	Sub Stream	704 x 480 at 20 fps
Bit Rate	H.264: 32 kbps to 6144 kbps H.265: 12 kbps to 6144 kbps	
Bit Rate Control	CBR, VBR	
Day/Night	Auto (ICR); Manual	
BLC Mode	BLC, HLC, WDR (120 dB)	
White Balance	Auto, Natural, Street Lamp, Outdoor, Manual, Regional, Custom	
Gain Control	Auto, Gain Priority, Shutter Priority, Manual	
Noise Reduction	3DNR	
Motion Detection	Off, On (4 Zones, Rectangle)	
Region of Interest	Off, On (4 Zones)	
Smart IR	Supported	
Image Rotation	0°, 90°, 180°, 270°	
Mirror	Off, On	
Privacy Masking	Off, On (4 Areas, Rectangle)	

**Audio**

Built-in Microphone	Yes
Audio Compression	G.711a, G.711Mu, PCM, G.726

**Network**

Ethernet	RJ-45 (10/100 Base-T)
Protocol	IPv4, IPv6, HTTP, TCP, UDP, ARP, RTP, RTSP, RTCP, RTMP, SMTP, FTP, SFTP, DHCP, DNS, DDNS, NTP, Multicast, ICMP, IGMP
Interoperability	ONVIF (Profile S, Profile T), CGI, P2P, Milestone, SDK, API
Maximum User Access	6 (Total bandwidth: 36 M)
Edge Storage	FTP, SFTP, Micro SD Card Slot (Maximum 256 GB)
Web Viewer	Microsoft Edge, Chrome, Firefox
Management Software	DSS, DMSS
Mobile Operating System	iOS, Android
Cyber Security	Configuraton Encrypton, Trusted Executon, Digest, Security Logs, WSSE, Account Lockout, Syslog, Video Encrypton, 802.1x, IP/MAC Filtering, HTTPS, Trusted Upgrade, Trusted Boot, Firmware Encrypton, Generating and Importing X.509 Certificaton

**Certifications**

Safety	EN 62368-1
Electromagnetic Compatibility (EMC)	FCC CFR 47 Part 15 Subpart B Electromagnetic Compatibility Directive 2014/30/EU

**Electrical**

Power Supply	12 VDC or PoE (802.3af)
Power Consumption	Basic: 1.9 W (12 VDC), 2.4 W (PoE); Maximum: 5.2 W (12 VDC), 5.9 W (PoE) (H.265 + Intelligence + WDR + Warm Light)

**Environmental**

Operating Conditions	-40°C to +60°C (-40°F to +140°F), Less than 95% RH
Storage Conditions	-40°C to +60°C (-40°F to +140°F)
Ingress Protection	IP67

**Construction**

Casing	Metal
Dimensions	100.9 mm x 109.9 mm (3.97 in. x 4.33 in.)
Net Weight	0.37 kg (0.82 lb)
Gross Weight	0.51 kg (1.12 lb)

**Analytics+ Functions**

Perimeter Protection	<ul style="list-style-type: none"> <li>Detects human or vehicle violations using the following methods:                             <ul style="list-style-type: none"> <li><b>Tripwire:</b> a target crosses a defined line.</li> <li><b>Intrusion:</b> a target enters or exits a defined perimeter.</li> </ul> </li> <li>Monitors a combination of detection methods.</li> <li>Search and retrieve video based on target type.</li> </ul>
Intelligent Search	Works with a Smart NVR to perform and refine intelligent searches, event extraction and merging to event videos.
Smart Motion Detection+²	<ul style="list-style-type: none"> <li>Differentiates between and classifies human and vehicle objects.</li> <li>Filters false alarms due to leaves, lights, animals, and other inconsequential objects.</li> <li>Extracts human or vehicle objects from recorded video for quick target search and retrieval.</li> </ul>

**Intelligent Video System Functions**

IVS triggers an alarm and takes a defined action for the following events:	<ul style="list-style-type: none"> <li>Tampering with the camera.</li> <li>Error writing to an onboard Micro SD card.</li> <li>Error sending or receiving data over the network.</li> <li>Unauthorized access to the camera.</li> <li>IP Address Conflict</li> </ul>
Standard Features	

**Technical Specification****N41C1P2 Four-channel 4K Network Video Recorder (2 TB)**

## System

Main Processor	Industrial-grade Embedded Processor
Operating System	Embedded Linux

## Audio and Video

IP Camera Input	Four (4) Channels
Audio	Input: One (1) Channel, RCA Output: One (1) Channel, RCA

Analytics+ Recording<sup>4</sup>

Perimeter Protection	Channels	Four (4)
	Search	By Channel, Time, and Event Type
Smart Motion Detection+	Channels	Four (4)
	Search	By Target Classification (Human or Vehicle)

## Display

Interface	One (1) HDMI, One (1) VGA
Native Output Resolution	3840 x 2160, 1920 x 1080, 1280 x 1024, 1280 x 720
Maximum Decoding	Two (2) Channel of 8MP at 30 fps Four (4) Channels of 4MP at 30 fps
Multi-screen Display	1/4
On-screen Display	Camera Title, Time, Video Loss, Camera Lock, Motion Detection, Recording

## Recording

Video Compression	Smart H.265+, H.265, Smart H.264+, H.264, MJPEG
Audio Compression	PCM, G.711A, G.711Mu, G.726
Supported IP Camera Resolution	8MP, 6MP, 5MP, 4MP, 3MP, 1080p, 720p, D1
Maximum Recording Bandwidth	80 Mbps
Record Mode	Manual Recording; Alarm Recording; SMD Recording; Smart Recording

## Video Detection and Alarm

General Alarms	Motion Detection, Privacy Masking, Video Loss, Scene Changing, PIR Alarm, IPC External Alarm
Anomaly Alarms	Camera Disconnection, Storage Error, Disk Full, IP Conflict, MAC Conflict, Login Locked, Cybersecurity Exception
Analytics+ Alarms	Face Detection, Perimeter Protection (Intrusion and Tripwire), IVS, People Counting, Heat Map, SMD Alarms
Alarm Actions	Recording, Snapshot, Audio, Buzzer, Log, Preset, Email

## Playback and Backup

Sync Playback	1/4
Search Mode	Time/Date, Alarm, MD and Exact Search (Accurate to One (1) Second), Smart Search
Playback Function	Play, Pause, Stop, Rewind, Fast Play, Slow Play, Reverse, By Frame, Full Screen, Backup Selection (Video Clip or File), Partial Zoom, Audio On/Off
Backup Mode	USB Device, Network

## Third-party Support

Third-party Support	Dahua, Arecont Vision, AXIS, Bosch, Brickcom, Canon, CP Plus, Dynacolor, Honeywell, Panasonic, Pelco, Samsung, Sanyo, Sony, Videotec, Vivotek, and Others
---------------------	---

## Network

Ethernet	One (1) RJ-45 Port (10/100/1000 Mbps), self-adaptive
PoE	Four (4) Ports (IEEE802.3af/at)
Network Function	HTTP, HTTPS, TCP/IP, IPv4/IPv6, UPnP, SNMP, RTSP, UDP, SMTP, NTP, DHCP, DNS, IP Filter, DDNS, FTP, Alarm Server, IP Search (Support Dahua IP Camera, DVR, NVS), P2P, Auto-register
Maximum User Access	128
Mobile Operating System	iOS, Android

Browser	Chrome, Edge
Interoperability	ONVIF (Profiles S, T, G), CGI, SDK
Network	
Internal HDD	One (1) SATA III Port, Up to 10 TB capacity per HDD
HDD Mode	Single
Interface	
USB	Two (2) USB 2.0 Ports (Rear Panel)
Electrical	
Power Supply	48 VDC, 1.25 A
Power Consumption	< 10 W, without HDD
Total PoE Budget	25.5 W single port, 36 W total
Environmental	
Operating Conditions	-10° C to 55° C (14° F to 131° F), 10% to 93% RH
Storage Conditions	0° C to 40° C (32° F to 104° F), 30% to 85% RH
Construction	
Dimensions (W x L x H)	204.60 mm x 206.40 mm x 45.60 mm (8.06 in. x 8.12 in. x 1.80 in.)
Net Weight	0.50 kg (1.10 lb), without HDD
Gross Weight	1.43 kg (3.15 lb), without HDD
Certifications	
Safety	EN 62368-1 UL 62368-1 CAN/CSA C22.2 No.62368-1-14
Electromagnetic Compatibility (EMC)	CFR 47 FCC Part 15 Subpart B EN55032, EN55024, EN55035, EN61000-3-2, EN61000-3-3, EN50130-4

## Technical Specification

### DH-DB6I-CAN 5MP WiFi Video Doorbell

#### Camera

Image Sensor	1/2.7-in. 5MP CMOS
Effective Pixels	2560 x 1920
RAM/ROM	256 MB / 128 MB
Electronic Shutter Speed	Auto/Manual 1/3 s to 1/100,000 s
Scanning System	Progressive
IR Distance	5.0 m (16.50 ft)
IR Control	Automatic
IR Illuminator	Two (2) LEDs
White-light Illuminator	Built-in, programmable
Built-in Battery	200 mAh Lithium Battery

#### Lens

Lens Type	Fixed-focal	
Lens Mount	M8	
Focal Length	2.2 mm	
Maximum Aperture	F2.0	
Angle of View	Horizontal	124°
	Vertical	92°
	Diagonal	164°
Iris Control	Fixed	
Close Focus Distance	0.80 m (2.62 ft)	

#### DORI Distances<sup>1</sup>

Detect (8 ppf)	Observe (19 ppf)	Recognize (38 ppf)	Identify (76 ppf)
44.0 m (144.36 ft)	17.60 m (57.74 ft)	8.80 m (28.87 ft)	4.40 m (14.44 ft)

#### Video

Video Compression	H.265, H.264	
Resolution	High	2560 x 1920 at 15 fps
	Medium	1440 x 1080 at 15 fps
	Low	640 x 480 at 15 fps
Streaming Capability	Two (2) Streams	
Frame Rate	Main Stream	2560 x 1920 at 15 fps
	Sub Stream	640 x 480 at 15 fps
Video Bit Rate	H.264: 32 kbps to 8192 kbps H.265: 32 kbps to 8192 kbps	
Day/Night	Auto (ICR), Color, B/W	
WDR	Digital WDR	
Optical Features	White Balance, Smart Illumination	
Noise Reduction	3D NR	
Motion Detection	On, Off	

#### Audio

Interface	Input	One (1) Built-in Microphone
	Output	One (1) Built-in Speaker
Two-way Talk	Three (3) built-in pre-recorded messages plus three (3) customized recorded messages	
Compression	G.711A, G.711Mu, PCM	
Audio Sampling	8 KHz, 16 KHz, 32 KHz	

#### WiFi

2.4 GHz IEEE802.11b/g/n	<ul style="list-style-type: none"> <li>2400 to 2483.5 MHz, RF POWER ≤30 dBm</li> </ul>
5 GHz IEEE802.11a/n/ac	<ul style="list-style-type: none"> <li>5250 to 5350 MHz, 5470 to 5600 MHz, 5650 to 5725 MHz RF POWER ≤24 dBm</li> <li>5725 to 5850 MHz RF POWER ≤30 dBm</li> </ul>

#### Network

Network Protocol	IPv4; IPv6; HTTP;TCP; UDP; ARP; RTP; RTSP; RTCP; DHCP; DNS; DDNS; QoS; NTP; Multicast; ICMP; IGMP
Edge Storage	Micro SD Card Slot, maximum 256 GB
Interoperability	CGI, P2P, SDK, API
Mobile Operating System	IOS, Android
Management Software	DMSS
Compatibility	<ul style="list-style-type: none"> <li>Any Dahua NVR</li> <li>Dahua X5, X7, X82 Series HDCVI DVRs</li> <li>Dahua DMSS Mobile Application</li> </ul>

#### Certifications

Electromagnetic Compatibility (EMC)	47 CFR FCC Part 15, Subpart B; FCC ID: FCC PART 15C; FCC PART 15E
-------------------------------------	--

#### Electrical

Power Supply <sup>s</sup>	12 VDC to 24 VDC or 16 VAC to 24 VAC, 0.8 A USB (5 VDC±5%, 2 A) <sup>2</sup>	
Power Consumption	5 VDC	Basic: 2.3 W Maximum: 3.3 W
	12-24 VDC	Basic: 2.9 W Maximum: 4.8 W
	16-24 VAC	Basic: 2.9 W Maximum: 4.9 W

#### Environmental

Operating Temperature	-20° C to +50° C (-4° F to 122° F), Less than 95% RH
Ingress Protection	IP65

#### Construction

Casing	Plastic
Dimensions (L x W x H)	130.0 mm x 45.0 mm x 22.50 mm (5.12 in. x 1.77 in. x 0.88 in.)
Net Weight	0.11 kg (0.24 lb)
Gross Weight	0.51 kg (1.12 lb)
Installation	Surface-mount

**Ordering Information**

Type	Part Number	Description
Security System	N444B42C-CAN	<ul style="list-style-type: none"> <li>3 x N42DJS2 4MP VU-MORE COLOR Fixed-focal Eyeball WizSense Network Camera</li> <li>1 x DH-DB6I-CAN 5MP WiFi Video Doorbell, 2.4 GHz and 5 GHz Wi-Fi connectivity, two-way talk, Available in Canada only</li> <li>1 x N41C1P2 4-channel 4K Network Video Recorder with 2 TB HDD (Smart 1U Casing, 4 PoE Ports)</li> </ul>
Camera Accessories (Optional)	PFA106	Mount Adapter
	PFA130-E	Waterproof Junction Box
	PFA151	Corner Mount
	PFA152-E	Pole Mount
	PFB220C	Ceiling Mount
	PFB305W	Wall Mount
	DH-PFB205W-E	Wall Mount Bracket
	DH-PFA200G	Gang Box Adapter
	DH-PFM321D-US	12 VDC, 1 A Power Adapter
	DHI-TF-P100 Series	Micro SDXC Cards (64 GB, 128 GB, or 256 GB)
	DH-PFM920I-5EU-U	305 m (1000 ft) CAT5e UTP Cable
DH-PFM900-E	Integrated Mount Tester	

**Package Contents**

Type	Material
Network Cameras	<ul style="list-style-type: none"> <li>Printed Manual</li> <li>Printed Regulatory Guide</li> <li>Plastic Wall Anchors with Screws (x3)</li> <li>Mounting Template</li> <li>Waterproof Ethernet Connector</li> </ul>
Doorbell	<ul style="list-style-type: none"> <li>Quick Start Guide (QSG)</li> <li>Video Doorbell</li> <li>Power Kit for Chime (referred to as a Chime Kit in QSG)</li> <li>32 GB Pre-installed MicroSD Card</li> <li>Wiring Package</li> <li>15° Horizontal Bracket</li> <li>5° Vertical Bracket</li> <li>Mounting Kit</li> </ul>
4K NVR	<ul style="list-style-type: none"> <li>Quick Network Guide</li> <li>Printed Manual</li> <li>Printed Regulatory Guide</li> <li>Mouse</li> <li>Power Adapter with Power Cord</li> <li>Ethernet Cable, RJ-45</li> <li>Rubber Feet (x4)</li> </ul>

**Camera Accessories**

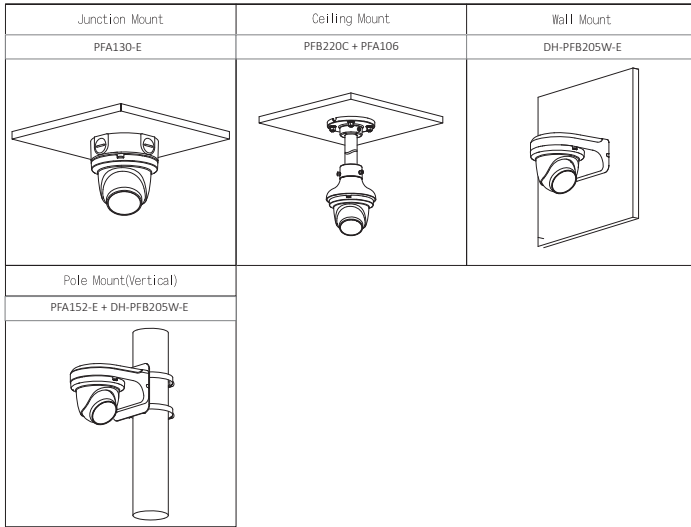
Optional:

 PFA106 Mount Adapter	 PFA130-E Waterproof Junction Box	 PFA151 Corner Mount
 PFA152-E Pole Mount	 PFB220C Ceiling Mount	 PFB305W Wall Mount
 DH-PFB205W-E Wall Mount Bracket	 DH-PFA200G Gang Box Adapter	 DH-PFM321D-US 12 VDC, 1 A Power Adapter
 DHI-TF-P100 Series Micro SDXC Cards (64 GB, 128 GB, or 256 GB)	 DH-PFM920I-5EU-U 305 m (1000 ft) CAT5e UTP Cable	 DH-PFM900-E Integrated Mount Tester

For all possible accessory combinations for this camera, please scan or click the QR code below to go to our accessory selector.

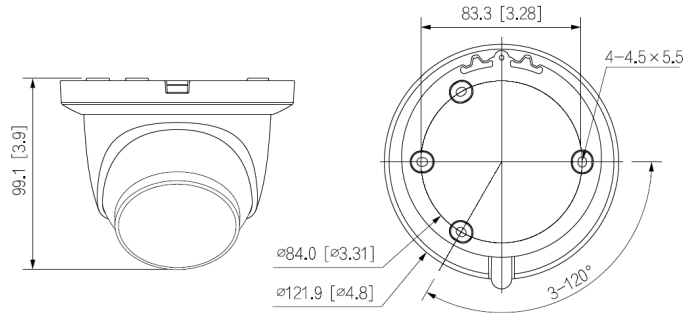


Camera Installation



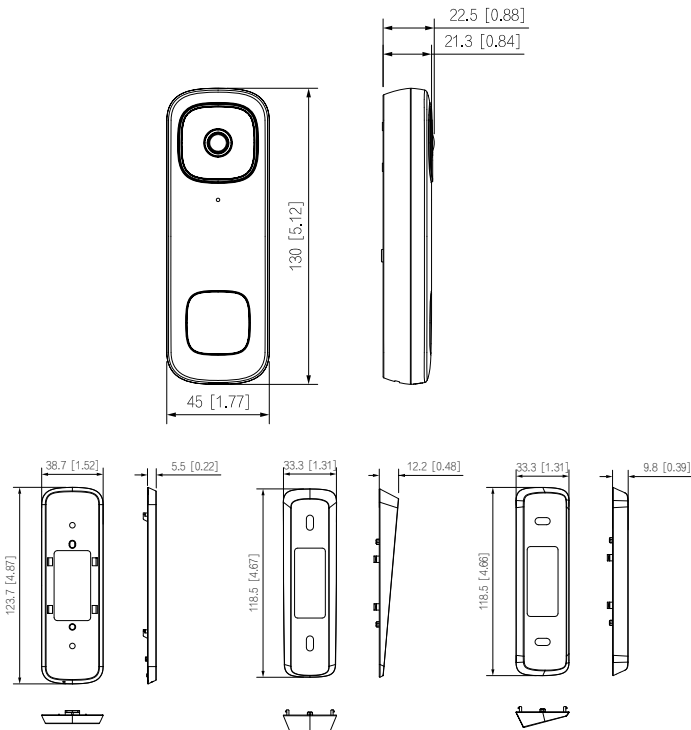
Camera Dimensions

mm [in.]

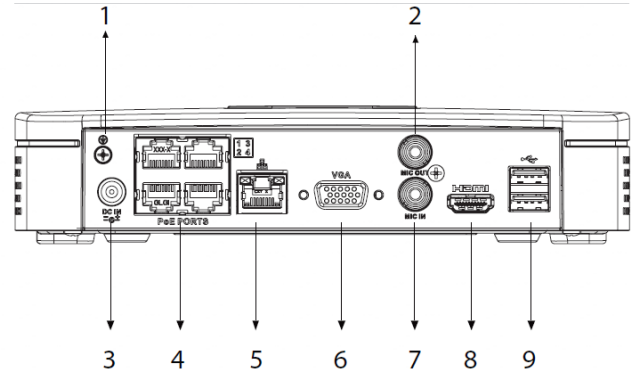


Doorbell Dimensions

mm [in.]



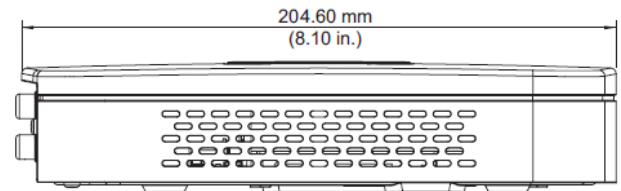
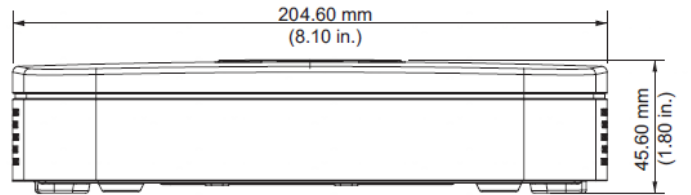
NVR Rear Panel



1	Ground	6	VGA Output
2	Audio Output, RCA (x1)	7	Audio Input, RCA (x1)
3	Power Input	8	HDMI Output
4	PoE Ports, RJ-45 (x4)	9	USB 2.0 Ports (x2)
5	Network Port, RJ-45		

NVR Dimensions

mm [in.]



I am approving the version of the document as shown here for public release by signing below.

- The DORI distance is a measure of the general proximity for a specific classification to help pinpoint the right camera for your needs. The DORI distance is calculated based on sensor specifications and lab test results according to EN 62676-4, the standard that defines the criteria for the Detect, Observe, Recognize and Identify classifications
- Pair a Smart Motion Detection camera with a Dahua recording device that also offers SMD functionality to take advantage of SMD alarm filtering and object classification when searching and playing back recorded video.
- Do not supply power to the DH-DBGI via the USB port. Use only the Power Input Ports, as detailed in the Quick Installation Guide, to supply power to the device.
- The recorder's Analytics+ functions are available only when connected to a Dahua network camera with Analytics+ functionality.
- Do not supply power to the DH-DBGI via the USB port. Use only the Power Input Ports, as detailed in the Quick Installation Guide, to supply power to the device.